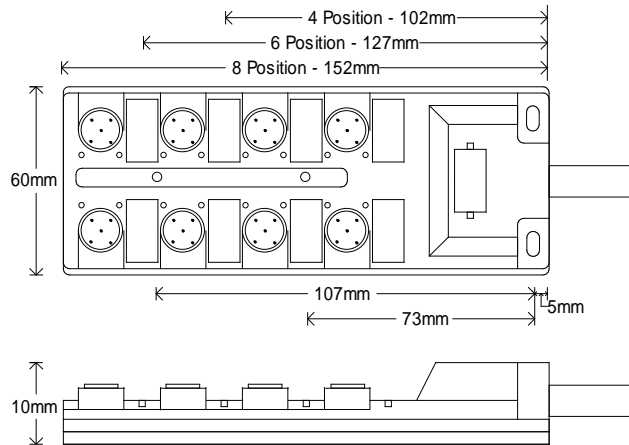


M12 Distribution Boxes

5 Pole / 4, 6 & 8 Position

Molded PUR Main Cable



Circuit

Standard M12 Connector Wiring	PNP LED Circuit Standard Production	NPN LED Circuit Special Production	No LED Circuit Special Production
<p>4 - Individual Signal (NO or Power)</p> <p>3 - COMMON Negative</p> <p>5 - COMMON Ground</p> <p>2 - Individual Signal (NC)</p> <p>1 - COMMON Positive</p>			

Part Numbers

Position	Length	PNP LED	NPN LED	No LED
4 Position	5M	J12-C4B5-P5	J12-C4B5-P5-NPN	J12-C4B5-P5-NL
	10M	J12-C4B5-P1	J12-C4B5-P1-NPN	J12-C4B5-P1-NL
	15M	J12-C4B5-PA	J12-C4B5-PA-NPN	J12-C4B5-PA-NL
6 Position	5M	J12-C6B5-P5	J12-C6B5-P5-NPN	J12-C6B5-P5-NL
	10M	J12-C6B5-P1	J12-C6B5-P1-NPN	J12-C6B5-P1-NL
	15M	J12-C6B5-PA	J12-C6B5-PA-NPN	J12-C6B5-PA-NL
8 Position	5M	J12-C8B5-P5	J12-C8B5-P5-NPN	J12-C8B5-P5-NL
	10M	J12-C8B5-P1	J12-C8B5-P1-NPN	J12-C8B5-P1-NL
	15M	J12-C8B5-PA	J12-C8B5-PA-NPN	J12-C8B5-PA-NL

Technical Information

Operating Voltage	250 VAC / 300 VDC	Contact Resistance	≤ 6 MΩ
Operating Current	4 A	Male Pin Dimension	1 mm (8 pole = 0.9mm)
Protection Rating	IP 67	Female Contact Material	Phosphorous Bronze
Operating Temperature	-25° C to +85° C	Female Contact Plating	Nickel + 0.3 μm AU Gold
Housing Material	Nylon 6 + 30% Glass fiber	Male Contact Material	Brass
Overmolding Material	Polyurethane	Male Contact Plating	Nickel + 0.3 μm AU Gold