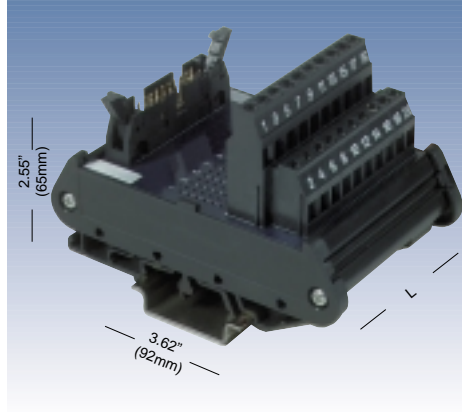


Ribbon Cable Series

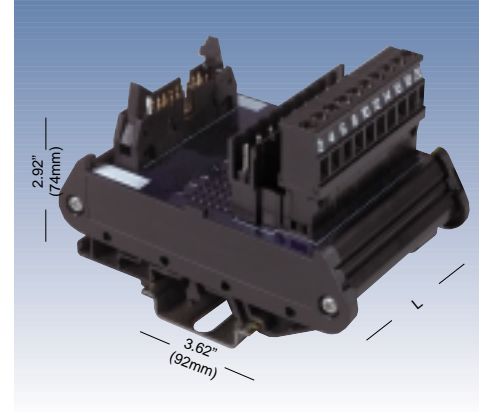
The IMRC series of interface modules provides an easy means to transition from industry standard high density ribbon cable connectors to individually wired terminal blocks.

The IMRC modules are equipped with a series of plated through holes which allow the user to easily add electronic components to a circuit. Fixed or pluggable terminal blocks are available with the IMRC modules, providing yet another degree of flexibility.

ASI can also assist with the design and manufacturing of modified products.



IMRC



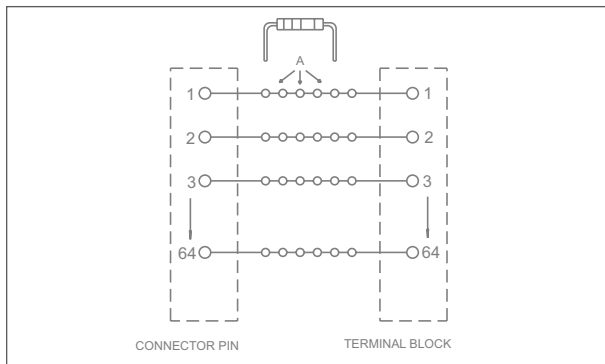
IMRC

SPECIFICATIONS	WIRE RANGE	CURRENT	VOLTAGE	WIRE RANGE	CURRENT	VOLTAGE
Capacity	26 - 12 AWG	2 A	120 VAC	26 - 12 AWG	2 A	120 VAC

ORDERING INFORMATION	FIXED RIBBON CABLE MODULE			PLUGGABLE RIBBON CABLE MODULE		
	TYPE	CATALOG No.	LENGTH	TYPE	CATALOG No.	LENGTH
Ribbon cable to terminal block modules,						
10 pin	IMRC 10	10000	1.80" (45.7mm)	IMRC 10P	10010	1.80" (45.7mm)
14 pin	IMRC 14	10001	2.00" (50.8mm)	IMRC 14P	10011	2.00" (50.8mm)
16 pin	IMRC 16	10002	2.10" (53.3mm)	IMRC 16P	10012	2.10" (53.3mm)
20 pin	IMRC 20	10003	2.39" (60.7mm)	IMRC 20P	10013	2.39" (60.7mm)
26 pin	IMRC 26	10004	2.99" (76.0mm)	IMRC 26P	10014	2.99" (76.0mm)
34 pin	IMRC 34	10005	3.79" (96.3mm)	IMRC 34P	10015	3.79" (96.3mm)
40 pin	IMRC 40	10006	4.39" (111.5mm)	IMRC 40P	10016	4.39" (111.5mm)
50 pin	IMRC 50	10007	5.39" (136.8mm)	IMRC 50P	10017	5.39" (136.8mm)
60 pin	IMRC 60	10008	6.39" (162.3mm)	IMRC 60P	10018	6.39" (162.3mm)
64 pin	IMRC 64	10009	6.79" (172.5mm)	IMRC 64P	10019	6.79" (172.5mm)

ACCESSORIES	TYPE	CATALOG No.	Pcs/PKG	TYPE	CATALOG No.	Pcs/PKG
Panel mounting ears,	ET-PME	20373	10	ET-PME	20373	10
End stop, width .31" (8mm)						
universal	BTU	BT005	25	BTU	BT005	25
35mm rail only	BT/3	BT003	25	BT/3	BT003	25
Mounting rail, DIN (2 meter length)						
non-slotted symmetrical 35mm x 7.5mm	PR/3/AC	PR003	1	PR/3/AC	PR003	1
slotted symmetrical 35mm x 7.5mm	PR/3/AS	PR005	1	PR/3/AS	PR005	1
non-slotted symmetrical 35mm x 15mm	PR/3/PP	PR007	1	PR/3/PP	PR007	1
slotted symmetrical 35mm x 15mm	PR/3/PA	PR006	1	PR/3/PA	PR006	1

TYPICAL SCHEMATIC



Component mounting holes located on each trace at 0.1" centers allow customers to insert components in parallel or series. To place a component in series customer removes trace (A) between component mounting holes under added component. The traces are located on the bottom side of the printed circuit board.

To locate additional product specifications and technical drawings go to www.asi-ez.com