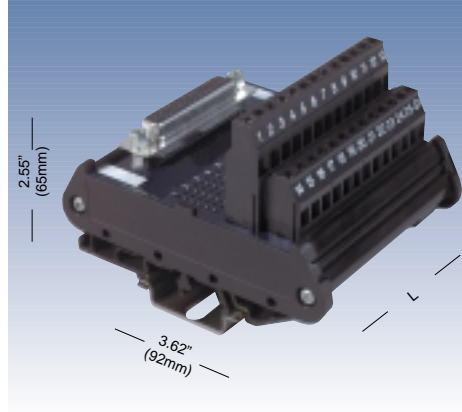


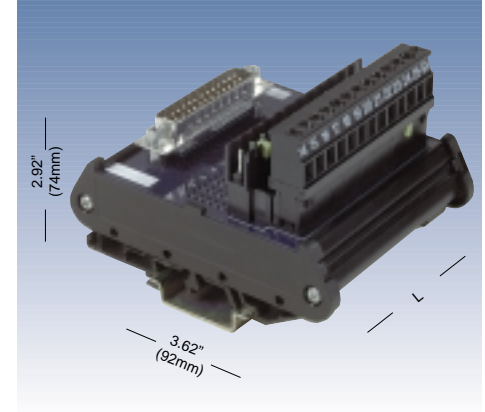
# D-SUB Series

The IMDS series provides a transition from standard multi-pin D-SUB connector to individually wired terminal blocks. Modules are available in 9 to 50 pin versions with male and female D-SUB connectors. Connectors are equipped with threaded locking inserts to ensure cables are secured to the module.

The IMDS series is available with either fixed mounted terminals or two-part pluggable terminals. Each module is also equipped with a series of plated through holes to allow for addition of electronic components in the circuit.



IMDS



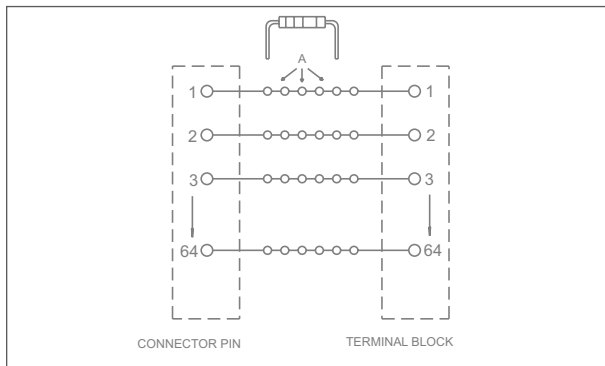
IMDS

SPECIFICATIONS	WIRE RANGE	CURRENT	VOLTAGE	WIRE RANGE	CURRENT	VOLTAGE
Capacity	26 - 12 AWG	2.5 A	125 VAC	26 - 12 AWG	2.5 A	125 VAC

ORDERING INFORMATION	FIXED D-SUB MODULE			PLUGGABLE D-SUB MODULE				
	D-SUB to terminal block modules,	TYPE	CATALOG No.	LENGTH (L)	TYPE	CATALOG No.	LENGTH (L)	
		MALE			MALE			
9 pin male	IMDS 09M	11000	1.48"	(37.5mm)	IMDS 09MP	11010	1.48"	(37.5mm)
15 pin	IMDS 15M	11002	1.99"	(50.6mm)	IMDS 15MP	11012	1.99"	(50.6mm)
25 pin	IMDS 25M	11004	2.99"	(76.0mm)	IMDS 25MP	11014	2.99"	(76.0mm)
37 pin	IMDS 37M	11006	4.19"	(106.4mm)	IMDS 37MP	11016	4.19"	(106.4mm)
50 pin	IMDS 50M	11008	5.59"	(142.0mm)	IMDS 50MP	11018	5.59"	(142.0mm)
		FEMALE			FEMALE			
9 pin female	IMDS 09F	11001	1.48"	(37.5mm)	IMDS 09FP	11011	1.48"	(37.5mm)
15 pin	IMDS 15F	11003	1.99"	(50.6mm)	IMDS 15FP	11013	1.99"	(50.6mm)
25 pin	IMDS 25F	11005	2.99"	(76.0mm)	IMDS 25FP	11015	2.99"	(76.0mm)
37 pin	IMDS 37F	11007	4.19"	(106.4mm)	IMDS 37FP	11017	4.19"	(106.4mm)
50 pin	IMDS 50F	11009	5.59"	(142.0mm)	IMDS 50FP	11019	5.59"	(142.0mm)

ACCESSORIES	TYPE	CATALOG No.	Pcs/Pkg	TYPE	CATALOG No.	Pcs/Pkg
Panel mounting ears	ET-PME	20373	10	ET-PME	20373	10
End stop, width .31" (8mm)	BTU	BT005	25	BTU	BT005	25
universal	BT/3	BT003	25	BT/3	BT003	25
35mm rail only						
Mounting rail, DIN (2 meter length)						
non-slotted symmetrical 35mm x 7.5mm	PR/3/AC	PR003	1	PR/3/AC	PR003	1
slotted symmetrical 35mm x 7.5mm	PR/3/AS	PR005	1	PR/3/AS	PR005	1
non-slotted symmetrical 35mm x 15mm	PR/3/PP	PR007	1	PR/3/PP	PR007	1
slotted symmetrical 35mm x 15mm	PR/3/PA	PR006	1	PR/3/PA	PR006	1

### TYPICAL SCHEMATIC



Component mounting holes located on each trace at 0.1" centers allow customers to insert components in parallel or series. To place a component in series customer removes trace (A) between component mounting holes under added component. The traces are located on the bottom side of the printed circuit board.

To locate additional product specifications and technical drawings go to [www.asi-ez.com](http://www.asi-ez.com)