

# M12 Single Ended Cordsets

Connector	Type	Model	Position	Cable Length	Part Number
M12	F	90°	4	3 m	12FA4B3Z
M12	F	90°	5	5 m	12FA5Q3Z

## General Product Description

Description	M12 female connector with cable,
Connector Type	Female
Number of Positions	4/5 poles
Connector Housing Color	Black
LED Indication	NA
Circuit Type	NA
Switching Status LED	NA
Voltage Status LED	NA
Cable Type	PVC
Cable Color	Black
Cable Length	3 M
Wire Size	24 AWG

## Technical Data

Rated Voltage	250V(4 p.) 60V (5 p.)
Rated Current	4 A

## Materials

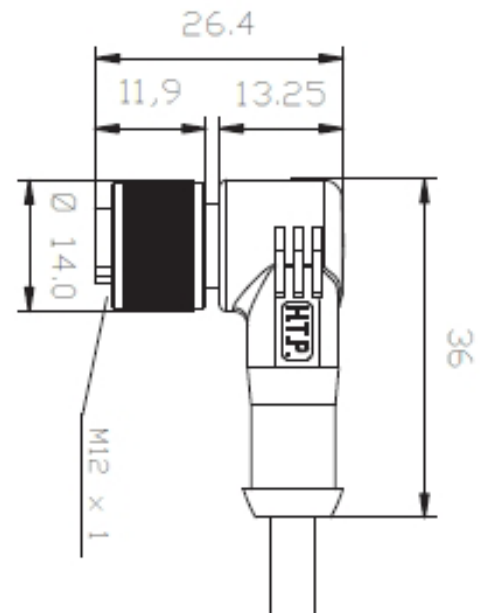
Connector Contact Material	Phosphorous Bronze
Connector Contact Plating	AU Gold Plating
Connector Housing Material	Nylon 6+30% Glass Fibre
Connector Coupling Nut Material	Zn Al/Ni

## Environmental Ratings

Operating Temperature Range	-25°C to +70°C
Protection Rating	IP 69K

**Package Quantity** 1

## Notes:



Other variations available. Including PUR cable, custom cable length and colors. Call ASI at 877-650-5160 to learn more.