

HA Series:
HA inserts for this heavy duty connector family are available in 3 to 32 positions and have ratings of 10 amps or 16 amps at 600 volts depending on the size.



HA Series 3 & 4 Position
Pkg Size:1

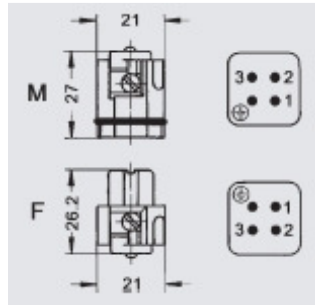
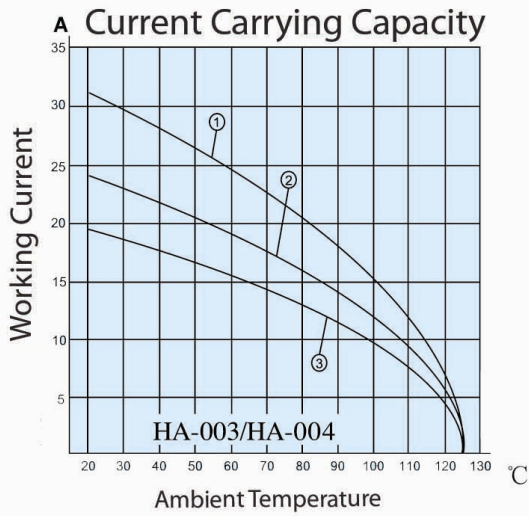


HA Series 10 Position
Pkg Size:1

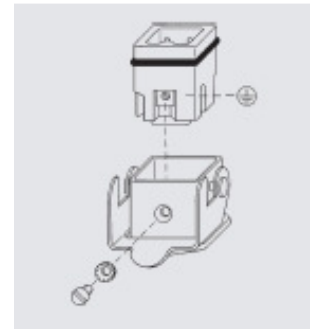


HA Series 16 Position
Pkg Size:1

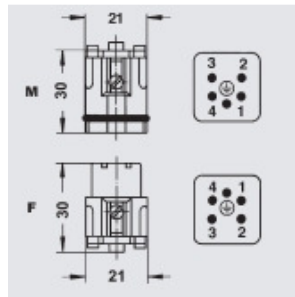
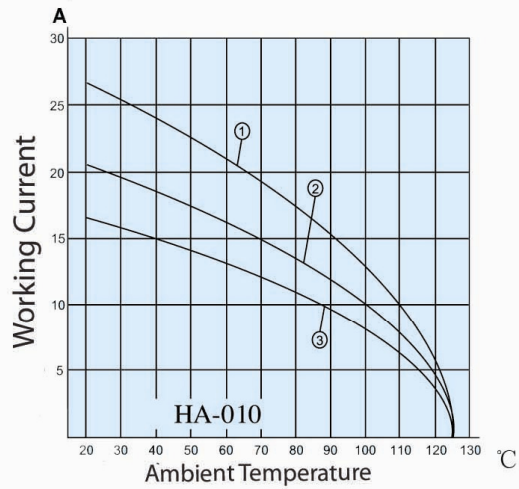
Description	Type	Order No.	Type	Order No.	Type	Order No.
Male Insert						
Screw clamp connection	HA-003-M HA-004-M	2010032101 2010042101	HA-010-M	2010102101	HA-016-M	2010162101
Female Insert						
Screw clamp connection	HA-003-F HA-004-F	2010032201 2010042201	HA-010-F	2010102201	HA-016-F	2010162201
Approvals:	UL, CSA					
General Data						
Rated Current (A)		10		16		16
Rated Voltage (V)		600		600		600
UL, CSA						
Mechanical Life Mating Cycles (max)		≤500		≤500		≤500
Temperature Range		-40°C - +125°C		40°C - +125°C		40°C - +125°C
Connection Data						
Wire Range (AWG)		26-14		26-14		26-14
Recommended Tightening Torque (Nm)		.25		.5		.5
Material Data						
Insert Material		Polycarbonate		Polycarbonate		Polycarbonate
Inflammability class in acc.with UL94		V0		V0		V0
Contact Material		Copper Alloy		Copper Alloy		Copper Alloy
Screw clamp contacts		Silver Plated		Silver Plated		Silver Plated
Crimp contacts		Silver or gold plated		Silver or gold plated		Silver or gold plated
Hoods and Housings						
		H3A Series		H10A series		H16A Series



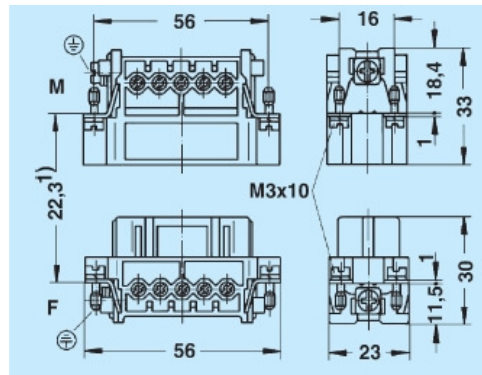
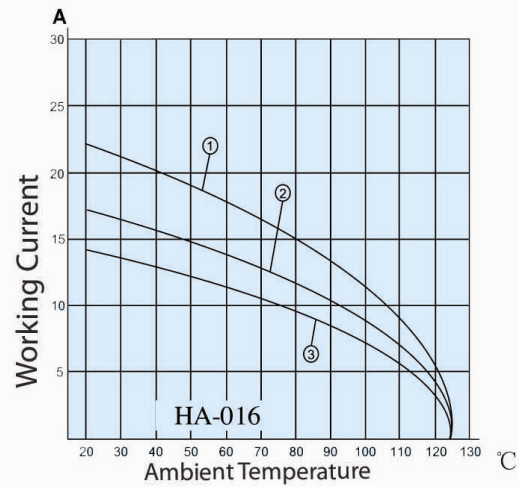
HA-003-M and HA-003-F



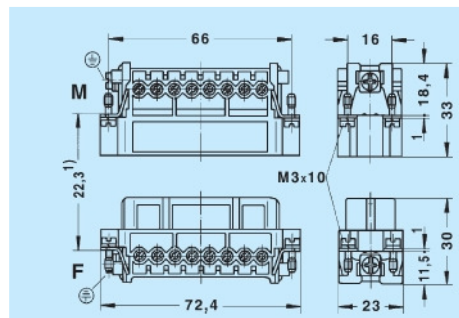
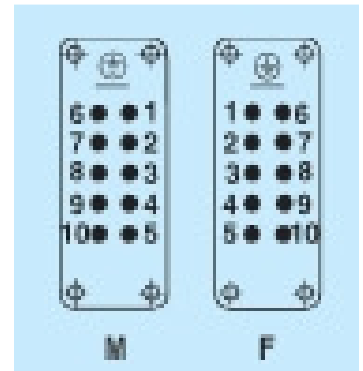
Mounting Example
HA 3 and 4 position



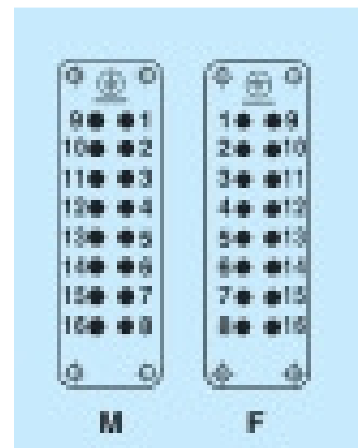
HA-004-M and HA-004-F



HA-010-M and HA-010-F



HA-016-M and HA-016-F



1. Wire gauge: 12
2. Wire gauge: 14
3. Wire gauge: 16