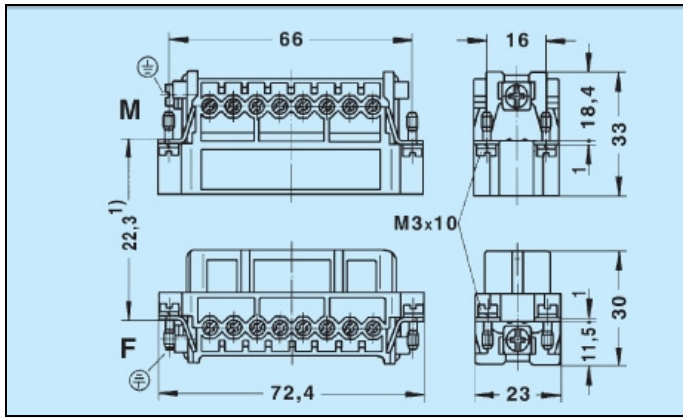


HA Series:
 HA inserts for this heavy duty connector family are available in 3 to 32 positions and have ratings of 10 amps or 16 amps at 600 volts depending on the size.



HA Series 32 Position
 Pkg Size:1



Description	Type	Order No.
-------------	------	-----------

Male Insert Screw clamp connection	HA-016-M	2010322101
----------------------------------------------	----------	------------

Female Insert Screw clamp connection	HA-016-F	2010322201
------------------------------------------------	----------	------------

Approvals: UL, CSA

General Data

Rated Current (A)	16
Rated Voltage (V)	600
UL, CSA	
Mechanical Life	
Mating Cycles (max)	≤500
Temperature Range	-40°C - +125°C

Connection Data

Wire Range (AWG)	26-14
Recommended Tightening Torque (Nm)	.25

Material Data

Insert Material	Polycarbonate
Inflammability class in acc.with UL94	V0
Contact Material	Copper Alloy
Screw clamp contacts	Silver Plated
Crimp contacts	Silver or gold plated

Hoods and Housings H32A Series

