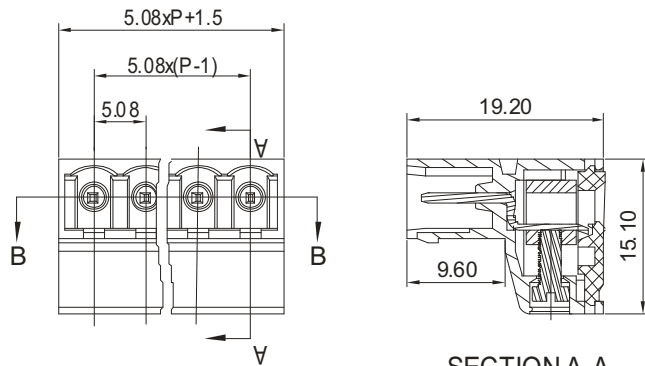
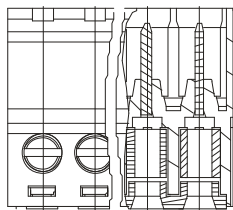




2EDGKR-5.08



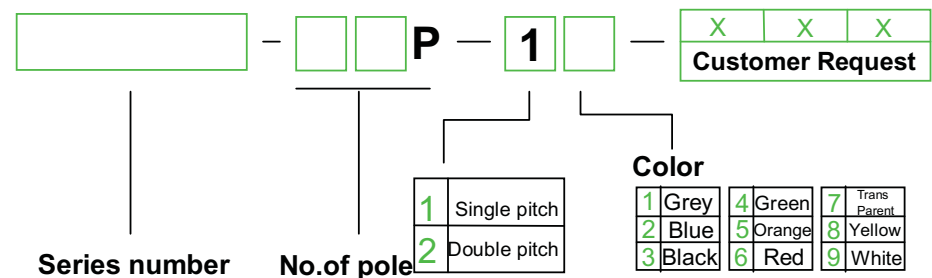
SECTION A-A



SECTION B-B

APPROVAL		
Electrical	UL	IEC
Standard	300V	320V
Rated voltage	15A	20A
Rated current	28-12AWG	2.5mm ²
Wire range	AC2500V/1Min	
Withstanding voltage		
Mechanical		
Torque	0.4Nm(3.5Lb-In)	
Ambient temperature	-40°C~+105 °C	
Strip length	7mm	
Dimensions		
Pitch	5.08mm(.200")	
Poles	2P-24P	
Material		
Housing	PA66,UL94 V-0	
Screws	M2.5,Steel,Cr ³⁺ Zn- plated	
Contact	Copper	
Cage	Brass,Ni-plated	

HOW TO ORDER :



 <small>THIRD ANGLE PROJECTION</small>	www.asi-ez.com NAME 2EDGKR-5.08
---	---