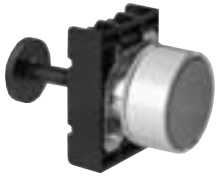


22mm Push buttons and pilot devices

Metal series

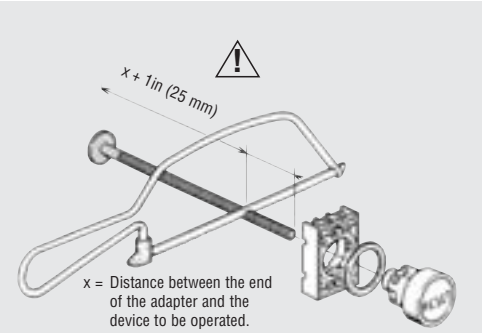
Mechanical reset buttons, complete unit, momentary



8 LM2T R1006

Color	Qty per pkg	Catalog number
Flush (0.12in / 5.2 mm stroke). Adjustable length 0-5in (0-123 mm).		
Black	10	8 LM2T R1002
Green	10	8 LM2T R1003
Red	10	8 LM2T R1004
Blue	10	8 LM2T R1006
Blue (RESET)	10	8 LM2T R1196①
Extended (0.12in / 5.2 mm stroke). Adjustable length 0-5in (0-123 mm).		
Red	10	8 LM2T R2004

Complete with mounting adapter as well as the rod.
 ① With "RESET" inscription on operator.



Selector switch operators, knob



8 LM2T S1

Type of positions	Qty per pkg	Catalog number
2 position (without mounting adapter).		
∨	10	8 LM2T S120
∨	10	8 LM2T S121
3 position (without mounting adapter).		
∨	10	8 LM2T S130
∨	10	8 LM2T S131
∨	10	8 LM2T S132
∨	10	8 LM2T S133

Selector switch operators, lever



8 LM2T S2

Type of positions	Qty per pkg	Catalog number
2 position (without mounting adapter).		
∨	10	8 LM2T S220
∨	10	8 LM2T S221
3 position (without mounting adapter).		
∨	10	8 LM2T S230
∨	10	8 LM2T S231
∨	10	8 LM2T S232
∨	10	8 LM2T S233

Operational characteristics

- Ambient operating temperature: -10 to +140°F (-25 to +60°C)
- Ambient storage temperature: -40 to +160°F (-40 to +70°C)
- Any mounting position is allowed
- Degree of protection: IP65.

Reference standards

Compliant with standards: IEC/EN 60947-1, IEC/EN 60947-5-1.

Materials

An aluminium and zinc alloy (zama) is used for the metal part whereas plastic parts are made of polyamide and polycarbonate.

Mechanical endurance

Operating force for reset buttons: 1.76lb / 0.8kg (operator)
 Mechanical life for reset buttons: 1,000,000 cycles
 Mechanical life for selector operators: 300,000 cycles.

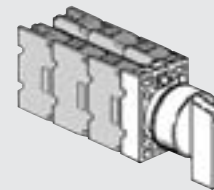
Mounting adapter

See page 6-17.
 Catalog number: 8 LM2T AU120.
 Operators latch onto the mounting adapter with a simple rotation.
 The adapter is fixed to the mounting surface by means of incorporated screws (Tmax = 7.1in lb / 0.8 Nm).

Auxiliary contacts for selector actuators

See page 6-17.
 Catalog numbers: 8 LM2T C10 (1NO)
 8 LM2T CF10 (1NO Faston)
 8 LM2T C10A (EM)
 8 LM2T C01 (1NC)
 8 LM2T CF01 (1NC Faston)
 8 LM2T C01D (LB)

Auxiliary contacts snap onto the mounting adapter.
 Up to 6 auxiliary contacts can be fitted on the mounting adapter: 3 on the left and 3 on the right.



Positions

- ∨ Maintained position.
- ∨ Spring return position.

Angles

2 position



3 position



To locate additional product specifications and technical drawings go to www.asi-ez.com