

UKJ-VIOK1.5-D/TG/D/JD Multi-Level Sensor/Actuator Terminal Block ASI011174

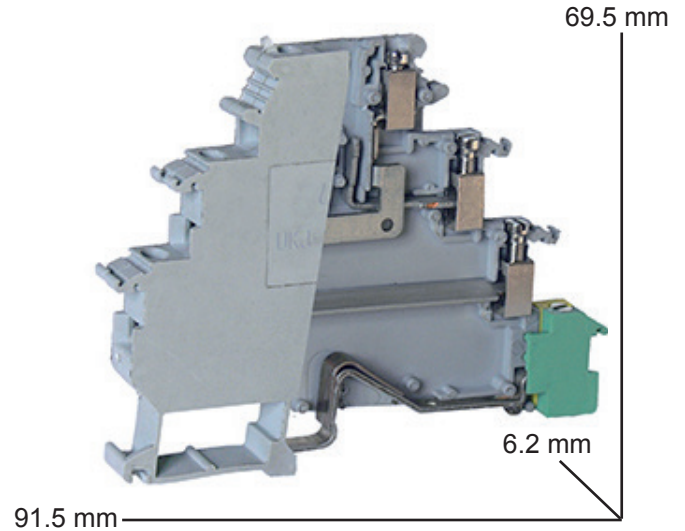
- Screw Clamp DIN Rail Mount Terminal Block
- Top Level: Sensor/Actuator Signal Feed-Through
- Third Level: with Disconnect Sensor/Actuator Power (+)
- Second Level: Sensor Power (-) Feed-Through
- Bottom Level: Actuator Ground

DIMENSIONS

Depth x Width x Height: 91.5 x 6.2 x 69.5 mm
(3.602 x 0.244 x 2.126")

TECHNICAL PARAMETERS

Voltage: 300 V
Current: 15 A
Wire Range: 30-14 AWG sol/str
Torque: 5-7 Lb In
Stripping Length: 8 mm (0.315")



ACCESSORIES

ASI014002-Blank Markers, 10 pos.



External Side Entry Bridge:
ASIEB10DIKRD-10 pos. Red
ASIEB80DIKRD-80 pos. Red
ASIEB10DIKBU-10 pos. Blue
ASIEB80DIKBU-80 pos. Blue
ASIEB10DIKWH-10 pos. White
ASIEB80DIKWH-80 pos. White



ASI011170-Distribution Actuator Terminal Block



ASI014450-Disconnect Plug



ASI014445-Component Holder Plug



ASI014440-Fuse Holder Plug (5 x 20 mm Fuse)