

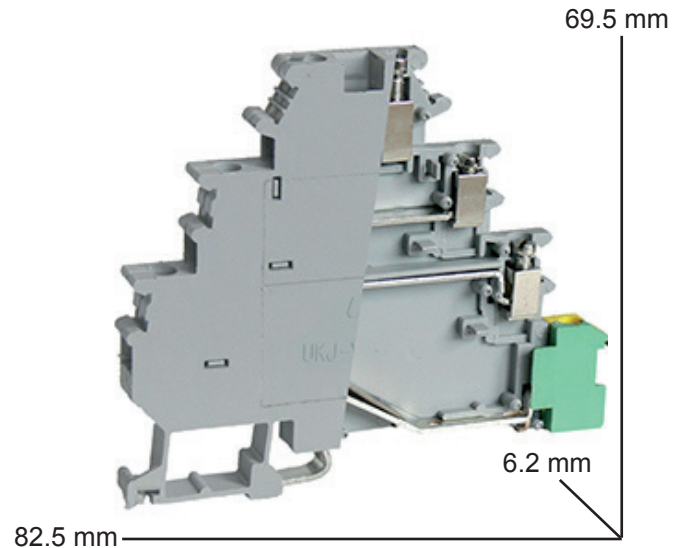
- Screw Clamp DIN Rail Mount Terminal Block
- Top Level: Sensor/Actuator Signal Feed-Through
- Third Level: Sensor Power (-) Feed-Through
- Second Level: Sensor/Actuator Power (+) Feed-Through
- Bottom Level: Actuator Ground

DIMENSIONS

Depth x Width x Height: 73 x 6.2 x 69.5 mm
(3.248 x 0.244 x 2.126")

TECHNICAL PARAMETERS

Voltage: 300 V
Current: 15 A
Wire Range: 30-14 AWG sol/str
Torque: 5-7 Lb In
Stripping Length: 8 mm (0.315")



ACCESSORIES



External Side Entry Bridge:

ASIEB10DIKRD-10 pos. Red
ASIEB80DIKRD-80 pos. Red
ASIEB10DIKBU-10 pos. Blue
ASIEB80DIKBU-80 pos. Blue
ASIEB10DIKWH-10 pos. White
ASIEB80DIKWH-80 pos. White



ASIFBI106-Screw-In Internal Jumper, 10 pos.

ASI014002-Blank Markers, 10 pos.