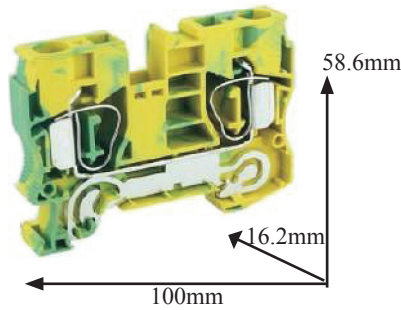
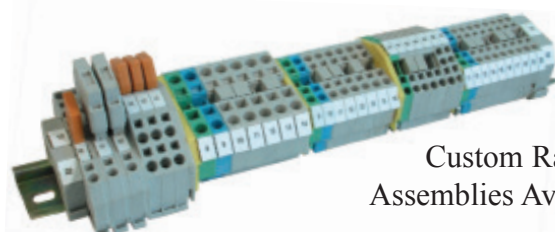


- Drop-in replacements to major manufacturers
- Wire range 14 to 2 AWG
- Single level, double level, multi-wire, ground and fuse terminal blocks available
- Material of housing: UL94V0 polyamide
- Multiple labeling options



Ordering Info	
Order #	ASI421017
Type	ASIUJ5-35JD
Description	Single Level Ground Terminal Block
Pkg Size	50 pcs
Specifications	
Wire Range (AWG)	14-2
Voltage Rating (V)	
Current Rating (A)	
Color	Green/Yellow
Accessories	
	<b>Order #</b>
Labeling Strip	ASIZB1010B, ASI424010
End Stop	ASIUD1B
<b>DIN Rail 1-Meter</b> 7.5 x 35mm slotted 7.5 x 35mm non-slotted	PR005-1M PR003-1M
<b>DIN Rail 2-Meter</b> 7.5 x 35mm slotted 7.5 x 35mm non-slotted	PR005 PR003



Custom Rail Assemblies Available