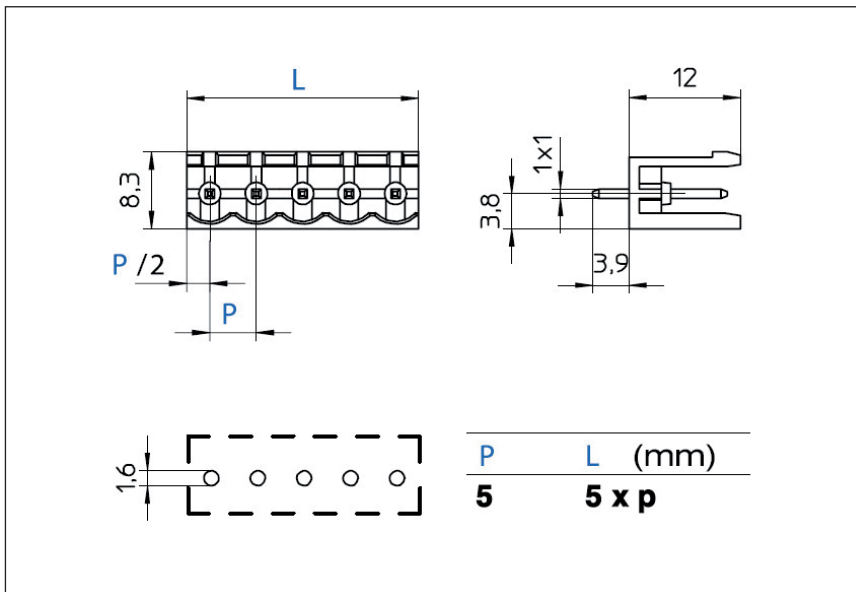
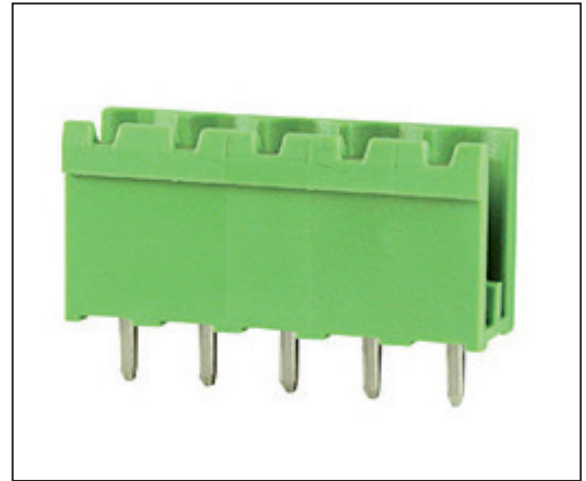


Standard Pluggable PCB Terminal Block Header, Open End CPM5.0-A

The CPM family of printed circuit board headers is used with the CPF and MRT3 pluggable terminal blocks. The CPM is available in both a vertical and 90 degree version and with either open or closed ends. A feature of the CPM header is the molded-in polarization that insures proper mating of the plug. The CPM headers are available in 2 to 24 positions and have a UL rating of 12 amps, 300 volts. The standard color is green, however other colors are available upon request.

SPECIFICATIONS

Housing Material:	PA68 Polyamide, Flammable UL94V0
Housing Color:	Green
Pin:	Tin Plated Brass
PCB Mounting Hole:	1.6 mm
Nominal Current:	12A
Voltage:	300V
Temperature Range:	-30° C to 85° C



Item	No. of Poles	Length (mm)
CPM5.0-A	2	10
CPM5.0-A	3	15
CPM5.0-A	4	20
CPM5.0-A	5	25
CPM5.0-A	6	30
CPM5.0-A	7	35
CPM5.0-A	8	40
CPM5.0-A	9	45
CPM5.0-A	10	50
CPM5.0-A	11	55
CPM5.0-A	12	60
CPM5.0-A	13	65
CPM5.0-A	14	70
CPM5.0-A	15	75
CPM5.0-A	16	80
CPM5.0-A	17	85
CPM5.0-A	18	90
CPM5.0-A	19	95
CPM5.0-A	20	100
CPM5.0-A	21	105
CPM5.0-A	22	110
CPM5.0-A	23	115
CPM5.0-A	24	120