

DATA SHEET

M18 HT Series. 180C

Automation Systems Interconnect, Inc
 4700 Westport Drive, Suite 500
 Mechanicsburg, PA 17055
 Phone: 717-249-5581
 Fax: 717-249-5542
 Web- www.asi-ez.com
 E-mail info@asi-ez.com



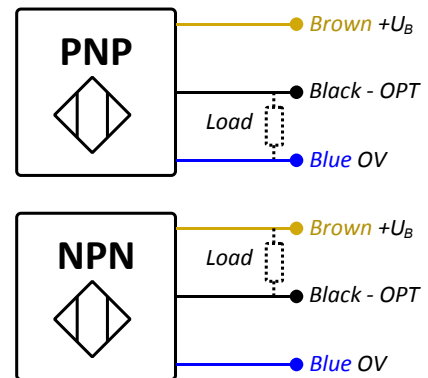
General Specifications.

Max Ambient Temp Range	--	-25../..+180C -13../..+356F
Sensor Size	--	M18
(SN) Flush Mounting	--	5mm
(SN) Non-Flush mounting	--	8mm
Connecting Cable	--	Silicone ..or.. Teflon
Supply Voltage Range	--	10../...30 VDC
Rated Supply Voltage	--	24 VDC
No-Load Supply Current	--	≤ 3mA
Output Format- PNP .or. NPN	--	N.O.
Output Current	--	200mA@24 VDC
Max Switching Frequency	--	200Hz@180C
Output Voltage Drop	--	≤ 1.8 VDC
Repeatability	--	< 3% of SN
Hysteresis	--	≤ 3.....15% of Sr
Short Circuit Protection	--	Yes
Reverse Polarity Protection	--	Yes
Environmental Protection	--	IP66
Housing Material	--	1.4305 St Stl

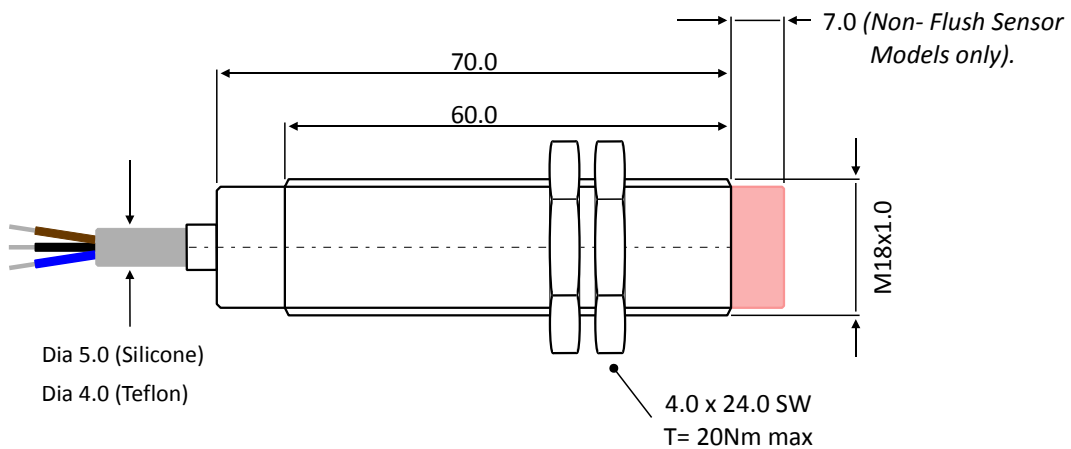
M18 HT Series Sensor.



Connection Detail.



Dimensional Detail.



Dimensions in Millimetres. Do Not Scale.

IMPORTANT-Please read

These proximity sensors must not be installed or used in any application where the safety of the person(s) are dependant upon their functioning. Due to our continued product development specifications are subject to change without notice. ISS-01-2012

DATA SHEET

M18 HT 180C ORDER CODES

Automation Systems Interconnect, Inc
4700 Westport Drive, Suite 500
Mechanicsburg, PA 17055
Phone: 717-249-5581
Fax: 717-249-5542
Web- www.asi-ez.com
E-mail info@asi-ez.com



Ordering Sensor products.

The table below lists the standard models available for the M18 HT 180C series high temperature proximity sensors. In obtain further information please use the order code as a reference when enquiring.

Notes-

1. Cable length*- For sensor products with alternative cable lengths please contact the sales office.

5mm SN Flush Models

8mm SN Non-Flush Models

CABLE TYPE.	CABLE LENGTH.*	OUTPUT.	ORDER CODES.	ORDER CODES.
SILICONE	2	PNP N.O.	IN5-18HT-180-S-2-PS	IN8-18HT-180-S-2-PS
	5		IN5-18HT-180-S-5-PS	IN8-18HT-180-S-5-PS
	10		IN5-18HT-180-S-10-PS	IN8-18HT-180-S-10-PS
	2	NPN N.O.	IN5-18HT-180-S-2-NS	IN8-18HT-180-S-2-NS
	5		IN5-18HT-180-S-5-NS	IN8-18HT-180-S-5-NS
	10		IN5-18HT-180-S-10-NS	IN8-18HT-180-S-10-NS
TEFLON	2	PNP N.O.	IN5-18HT-180-T-2-PS	IN8-18HT-180-T-2-PS
	5		IN5-18HT-180-T-5-PS	IN8-18HT-180-T-5-PS
	10		IN5-18HT-180-T-10-PS	IN8-18HT-180-T-10-PS
	2	NPN N.O.	IN5-18HT-180-T-2-NS	IN8-18HT-180-T-2-NS
	5		IN5-18HT-180-T-5-NS	IN8-18HT-180-T-5-NS
	10		IN5-18HT-180-T-10-NS	IN8-18HT-180-T-10-NS

IMPORTANT-Please read

These proximity sensors must not be installed or used in any application where the safety of the person(s) are dependant upon their functioning.
Due to our continued product development specifications are subject to change without notice. ISS-01-2012