

Panel Interface Connector, Circuit Breaker

ASI RAI-CB-102-B, RAI-CB-104-B,
RAI-CB-107-B, RAI-CB-109-B, RAI-CB-114-B

Features

- 50 Vac, 80 Vdc rating
- 1000 amp interrupt capacity
- IP65, NEMA4 protection ratings
- Clearly printed rockers
- Locking protection cover
- Robust aluminum housing
- Easy to wire rear connections

Connector Specifications, Circuit Breaker

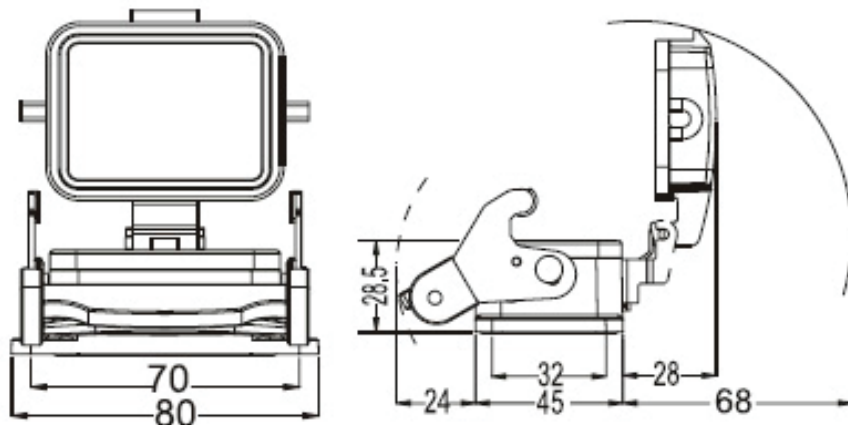
Current Rating: 3, 5, 10, 15 or 30 Amp

Trip Curve: AC Medium

Voltage: 240 Vac



Mounting and Housing Dimensions (mm)



**Other circuit breaker variations
are available.*

Call 877-650-5160 to learn
more.

