

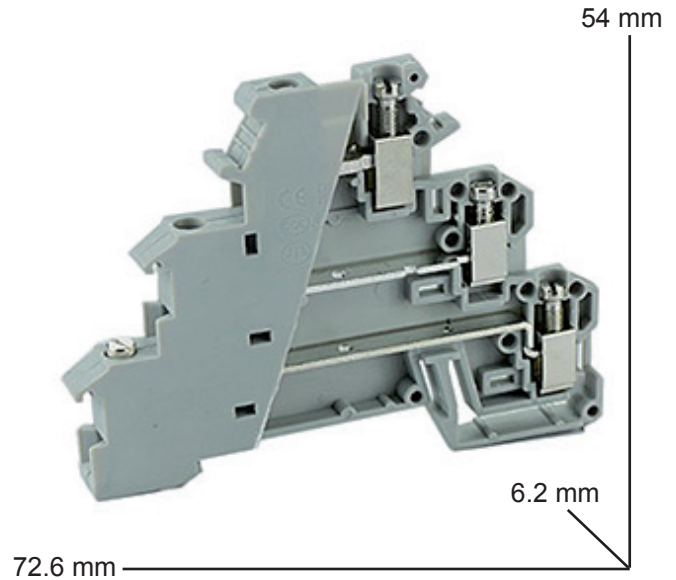
- Screw Clamp DIN Rail Mount Terminal Block
- Upper Level: Signal Feed-Through
- Middle Level: Sensor Power (-) via External Side Entry Bridge
- Lower Level: Sensor Power (+) via External Side Entry Bridge

DIMENSIONS

Depth x Width x Height: 72.6 x 6.2 x 54 mm
(2.854 x 0.244 x 2.126")

TECHNICAL PARAMETERS

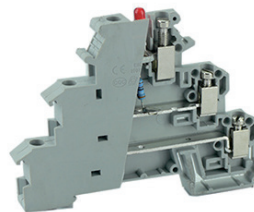
Voltage: 300 V
Current: 15 A
Wire Range: 30-14 AWG sol/str
Torque: 5-7 Lb In
Stripping Length: 8 mm (0.315")



ACCESSORIES



ASIATPDIKD1.5-Partition Plate



ASI011066-Distribution Sensor Terminal Block
ASI011075-Distribution Sensor Terminal Block



External Side Entry Bridge:
ASIEB10DIKRD-10 pos. Red
ASIEB80DIKRD-80 pos. Red
ASIEB10DIKBU-10 pos. Blue
ASIEB80DIKBU-80 pos. Blue
ASIEB10DIKWH-10 pos. White
ASIEB80DIKWH-80 pos. White



ASIFBI106-Screw-In Internal Jumper, 10 pos.

ASI014002-Blank Markers, 10 pos.