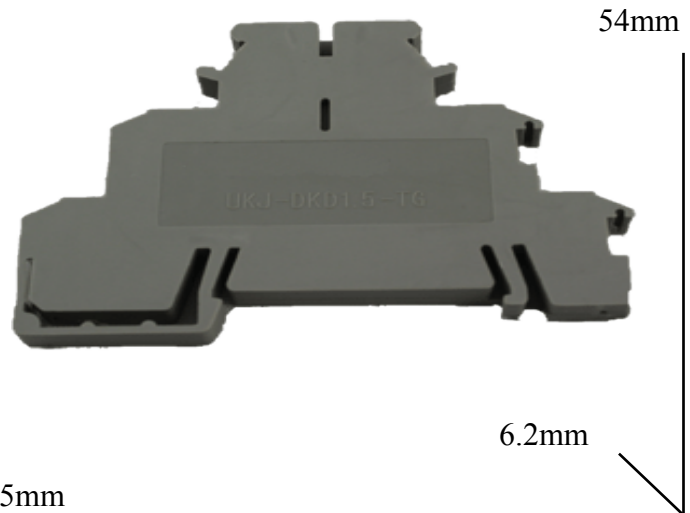


UKJ-DKD1.5-TG

Multilevel sensor terminal block

Part #: ASI011092

- *Screw clamp
- *3 level sensor DIN rail mount terminal block with fuse indication option
- * 24-14 AWG
- *Gray housing



Accessories:

ASI014440 - UTI-4RD 5x20mm fuse

Dimensions		
Width / thickness / height (mm)	72.5/6.2/54	
Screw nominal diameter (mm)	M3	
Torque (Nm)	0.6-0.8	
Stripping Length (mm)	8	
Technical Parameters		
Voltage (V)	250	
Maximum operating current (A)	30	
Cross-section (mm ²)	4	
Wire Range		
Rigid wire (mm ²)	0.2-4	
Flexible wire (mm ²)	0.2-2.5	