

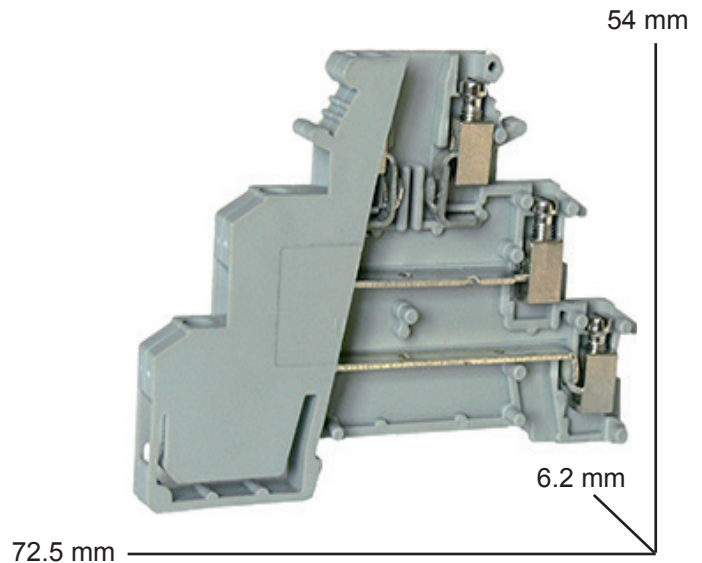
- Screw Clamp DIN Rail Mount Terminal Block
- Upper Level: Signal with Disconnect
- Middle Level: Sensor Power (-) Feed-Through
- Lower Level: Sensor Power (+) Feed-Through

**DIMENSIONS**

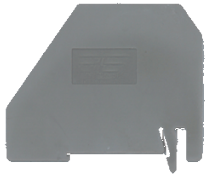
Depth x Width x Height: 72.5 x 6.2 x 54 mm  
(2.854 x 0.244 x 2.126")

**TECHNICAL PARAMETERS**

Voltage: 300 V  
Current: 15 A  
Wire Range: 30-14 AWG sol/str  
Torque: 5-7 Lb In  
Stripping Length: 8 mm (0.315")



**ACCESSORIES**



ASIATPDIKD1.5-Partition Plate



ASI011170-Distribution Actuator Terminal Block

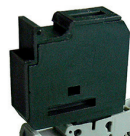


**External Side Entry Bridge:**

- ASIEB10DIKRD-10 pos. Red
- ASIEB80DIKRD-80 pos. Red
- ASIEB10DIKBU-10 pos. Blue
- ASIEB80DIKBU-80 pos. Blue
- ASIEB10DIKWH-10 pos. White
- ASIEB80DIKWH-80 pos. White



ASI014450-Disconnect Plug



ASI014445-Component Holder Plug



ASI014440-Fuse Holder Plug (5 x 20 mm Fuse)

ASI014002-Blank Markers, 10 pos.