

UKJ-DOKD1.5-TG Distribution Multi-Level Actuator Terminal Block ASI011170

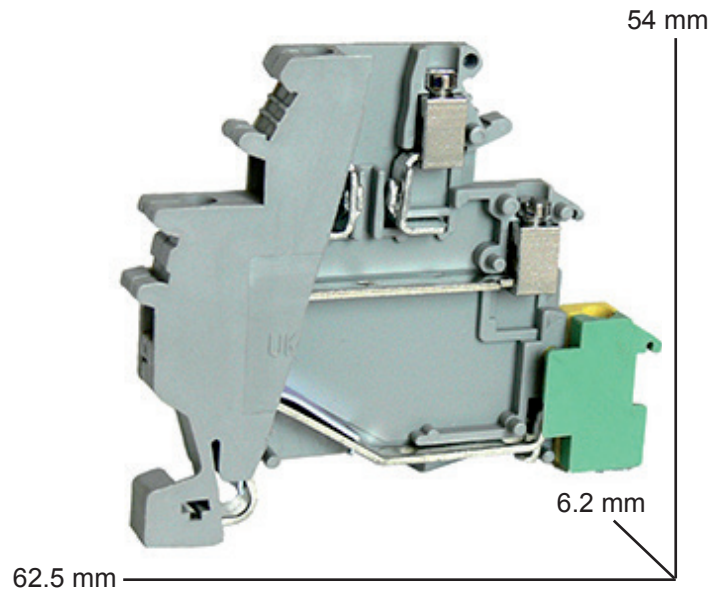
- Screw Clamp DIN Rail Mount Terminal Block
- Upper Level: Signal with Disconnect
- Middle Level: Actuator Power (+) Feed-Through
- Lower Level: Actuator Ground

DIMENSIONS

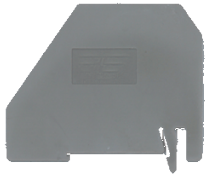
Depth x Width x Height: 62.5 x 6.2 x 54 mm
(2.461 x 0.244 x 2.16")

TECHNICAL PARAMETERS

Voltage: 300 V
Current: 15 A
Wire Range: 30-14 AWG sol/str
Torque: 5-7 Lb In
Stripping Length: 8 mm (0.315")



ACCESSORIES



ASIATPDIK1.5-Partition Plate



ASI011170-Distribution Actuator Terminal Block



External Side Entry Bridge:

ASIEB10DIKRD-10 pos. Red
ASIEB80DIKRD-80 pos. Red
ASIEB10DIKBU-10 pos. Blue
ASIEB80DIKBU-80 pos. Blue
ASIEB10DIKWH-10 pos. White
ASIEB80DIKWH-80 pos. White



ASI014450-Disconnect Plug



ASI014445-Component Holder Plug



ASI014440-Fuse Holder Plug (5 x 20 mm Fuse)

ASI014002-Blank Markers, 10 pos.