

UBJ2-OT2.5, Fully Insulated Ring Lug Bolt Connection Modular Terminal Block

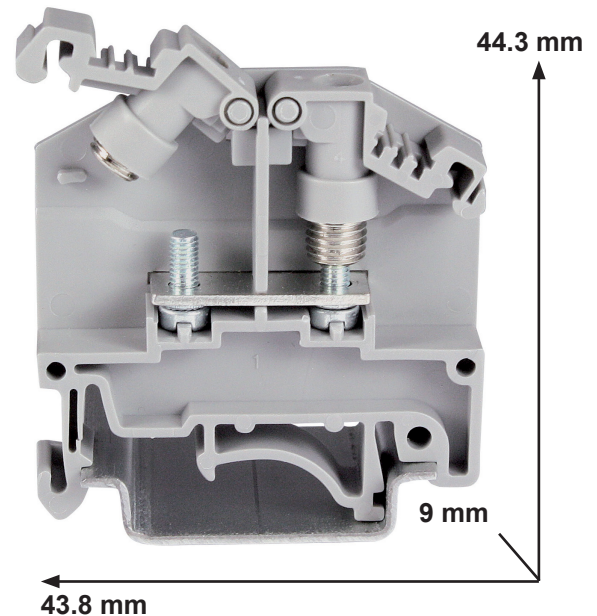
ASI271061

- Modular, DIN Rail Mounting
- Shock Hazard Proof, Fully Insulated Connections
- Locking Hinged Cover for Easy Wiring Access
- Individual Snap On Marking Labels
- Accepts Red, Blue and Yellow Ring Tongue Terminals



Dimensions

Length/Width/Height (mm) 43.8 x 9 x 44.3



Technical Parameters

Voltage (V)	600	Screw Size	M3
Current (A)	25	Torque (in-lbs)	5.5-7
Wire Range (AWG)	26-10	Stripping Length (mm)	6

Accessories

ASI272009	End Cover
ASIUD1B	End Stop/End Clamp
ASIZB810B	Strip of 10 Blank Markers
ASI014009	Strip of 10 Markers Horizontal
ASI014010	Strip of 10 Markers Vertical
2054010	Type GF-M3, Ring Lug Terminal Yellow, 12-10 AWG
2050030	Type RF-M3, Ring Lug Terminal Red, 22-16 AWG
2052030	Type BF-M3, Ring Lug Terminal Blue, 16-14 AWG
2050630	Type RF-U3, Fork Lug Terminal Red, 22-16 AWG
2052630	Type BF-U3, Fork Lug Terminal Blue, 16-14 AWG
ASI302002	Ferrule Crimp Tool, 22-10 AWG
CCH06	Type CCH/6, Screwdriver
CCV05	Type CCV/5, Screwdriver
PR005	Steel DIN Rail, 35 x 7.5mm, slotted, 6'7" inch (2 meter)
PR005-1m	Steel DIN Rail, 35 x 7.5mm, slotted, 3'3" inch (1 meter)
ASI305001	DIN Rail Cutter