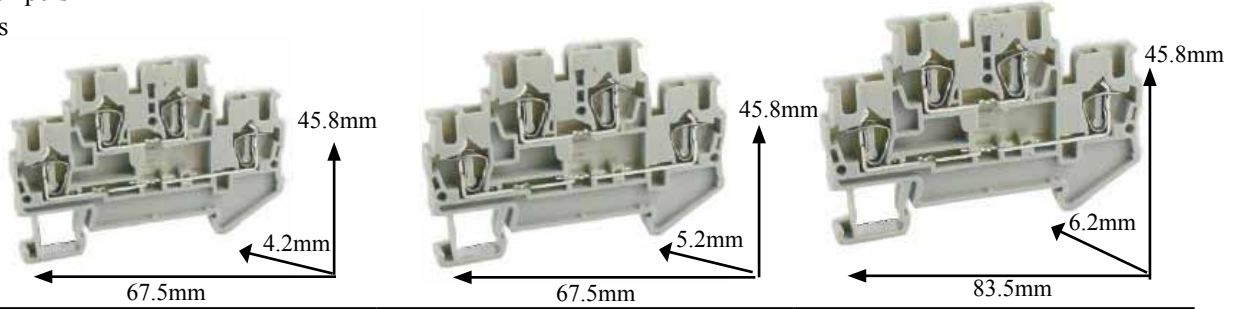


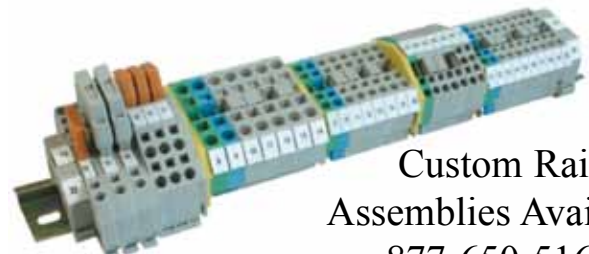
Spring Clamp DIN Rail Mounted Terminal Blocks



- Drop-in replacements to major manufacturers
- Models are 28 to 6 AWG, 15 to 115A, 300 to 600V
- Single level, double level, multi-wire, ground and fuse terminal blocks available
- Material of housing: UL94V0 polyamide
- Easy to install push-in jumpers
- Multiple labeling options



Ordering Info			
Order #	ASI421021	ASI421022	ASI421023
Type	ASISCP1.5/2-2	ASISCP2.5/2-2	ASISCP4/2-2
Description	Double Level Terminal Block	Double Level Terminal Block	Double Level Terminal Block
Pkg Size	50 pcs	50 pcs	50 pcs
Specifications			
Wire Range (AWG)	28-14	28-12	28-10
Voltage Rating (V)	300	600	300
Current Rating (A)	15	20	30
Color	Gray	Gray	Gray
Accessories			
	Order #	Order #	Order #
End Cover	ASI422010	ASI422010	ASI422036
Partition Plate	ASI422020	ASI4220020	ASI4220020
Push-In Jumpers			
2-pos	ASI423001	ASI423006	ASI423011
3-pos	ASI423002	ASI423007	ASI423012
4-pos	ASI423003	ASI423008	ASI423013
5-pos	ASI423004	ASI423009	ASI423014
10-pos	ASI423005	ASI423010	ASI423015
Labeling Strip	ASI424001	ASI424004	ASI424007
End Stop	ASIUD1B	ASIUD1B	ASIUD1B
DIN Rail 1-Meter			
7.5 x 35mm slotted	PR005-1M	PR005-1M	PR005-1M
7.5 x 35mm non-slotted	PR003-1M	PR003-1M	PR003-1M
DIN Rail 2-Meter			
7.5 x 35mm slotted	PR005	PR005	PR005
7.5 x 35mm non-slotted	PR003	PR003	PR003



Custom Rail Assemblies Available
877-650-5160

www.asi-ez.com