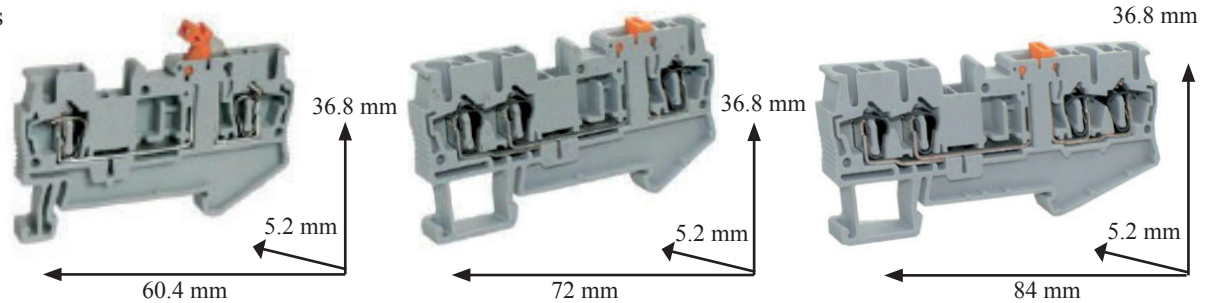
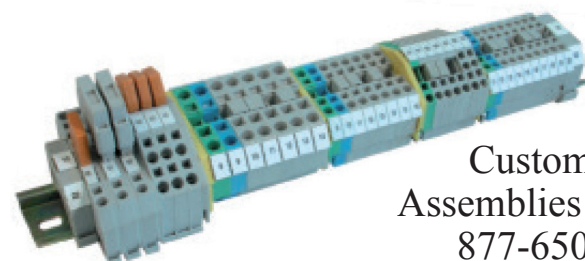


# Spring Clamp DIN Rail Mounted Terminal Blocks

- Drop-in replacements to major manufacturers
- Models are 24 to 12 AWG, 15 to 115A, 400V
- Single level, double level, multi-wire, ground and fuse terminal blocks available
- Material of housing: UL94V0 polyamide
- Easy to install push-in jumpers
- Multiple labeling options



Ordering Info			
Order #	ASI421035	ASI421037	ASI421038
Type	ASIUJ5-2.5SK	ASIUJ5-2.5/1x2SK	ASIUJ5-2.5/2X2SK
Description	Knife Disconnect Terminal Block	Knife Disconnect Terminal Block	Knife Disconnect Terminal Block
Pkg Size	50 pcs	50 pcs	50 pcs
Specifications			
Wire Range (AWG)	24-12	24-12	24-12
Voltage Rating (V)	400	400	400
Current Rating (A)	16	16	16
Color	Gray	Gray	Gray
Accessories			
	Order #	Order #	Order #
Partition Plate	ASI422019	ASI422018	
End Cover	ASI422012	ASI422006	ASI422039
Labeling Strip	ASIZB10B	ASIZB10B	ASIZB10B
Markers For Top	ASI424002	ASI424002	ASI424002
End Stop	ASIUD1B	ASIUD1B	ASIUD1B
DIN Rail 1-Meter 7.5 x 35mm slotted 7.5 x 35mm non-slotted	PR005-1M	PR005-1M	PR005-1M
	PR003-1M	PR003-1M	PR003-1M
DIN Rail 2-Meter 7.5 x 35mm slotted 7.5 x 35mm non-slotted	PR005	PR005	PR005
	PR003	PR003	PR003



Custom Rail  
Assemblies Available  
877-650-5160