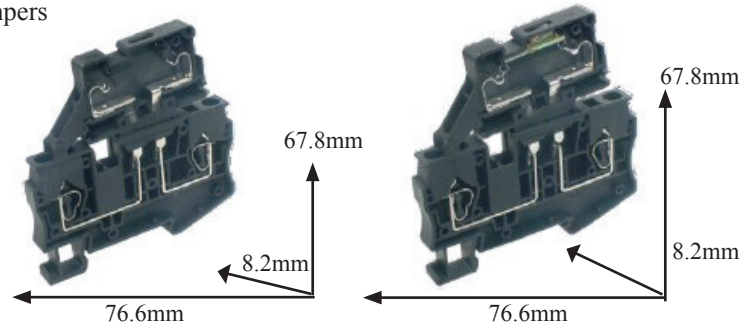


Spring Clamp DIN Rail Mounted Terminal Blocks

- Drop-in replacements to major manufacturers
- Models are 28 to 6 AWG, 15 to 115A, 300 to 600V
- Single level, double level, multi-wire, ground and fuse terminal blocks available
- Material of housing: UL94V0 polyamide
- Easy to install push-in jumpers
- Multiple labeling options



Ordering Info		
Order #	ASI421043	24V Indication: ASI421044 250V Indication: ASI21045 48V-110V Indication: ASI21046
Type	ASIUJ5-4RD(6.3x32)	24V Indication: ASIUJ5-4RDx24(6.3x32) 250V Indication: ASIUJ5-4RDx250(6.3x32) 48V-110V Indication: ASIUJ5-4RDx48-110(6.3x32)
Description	Fuse Holder Terminal Block	Fuse Holder Terminal Block
Pkg Size	50 pcs	50 pcs
Specifications		
Wire Range (AWG)	24-10	24-10
Voltage Rating (V)	500	500
Current Rating (A)	10	10
Color	Black	Black

Accessories		
	Order #	Order #
Push-In Jumpers		
2-pos	ASI423016	ASI423016
3-pos	ASI423017	ASI423017
4-pos	ASI423018	ASI423018
5-pos	ASI423019	ASI423019
10-pos	ASI423020	ASI423020
Labeling Strip	ASI014003	ASI014003
End Stop	ASIUD1B	ASIUD1B
DIN Rail 1-Meter		
7.5 x 35mm slotted	PR005-1M	PR005-1M
7.5 x 35mm non-slotted	PR003-1M	PR003-1M
DIN Rail 2-Meter		
7.5 x 35mm slotted	PR005	PR005
7.5 x 35mm non-slotted	PR003	PR003