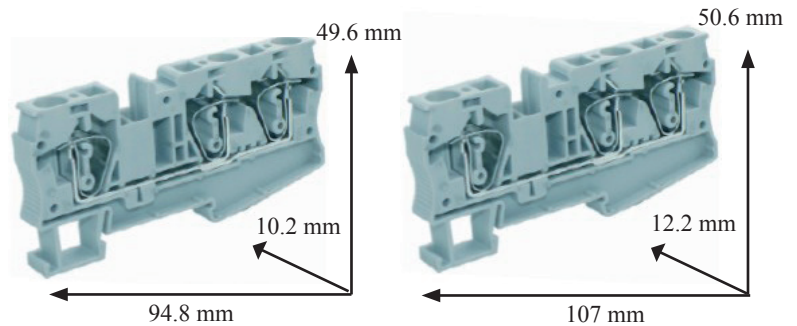


Spring Clamp DIN Rail Mounted Terminal Blocks

- Drop-in replacements to major manufacturers
- Models are 16 to 4 AWG, 65 to 85 A, 600 V
- Single level, double level, multi-wire, ground and fuse terminal blocks available
- Material of housing: UL94V0 polyamide
- Easy to install push-in jumpers
- Multiple labeling options



Ordering Info		
Order #	ASI421118	ASI421120
Type	ASIUJ5-10/1X2	ASIUJ5-16/1X2
Description	3-Wire Terminal Block	3-Wire Terminal Block
Pkg Size	50 pcs	50 pcs
Specifications		
Wire Range (AWG)	16-6	16-4
Voltage Rating (V)	600	600
Current Rating (A)	65	85
Color	Gray	Gray
Accessories		
	Order #	Order #
End Cover	ASI422048	ASI422050
Push-In Jumpers		
2-pos		
3-pos		
4-pos		
5-pos		
10-pos	ASI423021	ASI423022
Labeling Strip	ASI014004	ASI014004
End Stop	ASIUD1B	ASIUD1B
DIN Rail 1-Meter		
7.5 x 35mm slotted	PR005-1M	PR005-1M
7.5 x 35mm non-slotted	PR003-1M	PR003-1M
DIN Rail 2-Meter		
7.5 x 35mm slotted	PR005	PR005
7.5 x 35mm non-slotted	PR003	PR003

Custom Rail
Assemblies Available

