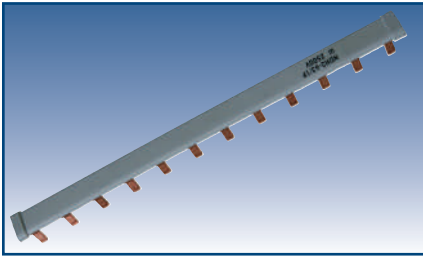


Accessories



Technical Specification

- Rated insulation Voltage: 500V
- Conventional thermal current: 100A
- Impulse withstand voltage: 6kV
- Short time withstand current: 25kA/0.5A
- Can be cut to desired length

For use with QL, QY, QZ series
Length=1 Meters
Connects 75 1-pole, 37 2-pole and
25 3-pole breakers

Poles	Part Number	Pcs/Pkg
1P	QBB1233	1
2P	QBB1234	1
3P	QBB1282	1

BUSBARS

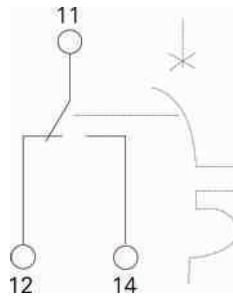
For use with standard NDB2 Series
Length=1.1 Meters
Connects 60 1-pole or 20 3-pole.
breakers

Poles	Part Number	Pcs/Pkg
1P	NDH2-63-1P	1
3P	NDH2-63-3P	1
End Caps	NDH2-EC	2

* 6 end caps required for 3-pole

For use with High Current (NDM1 Series)

Poles	Part Number	Pcs/Pkg
1P	ND1-100-1P	1
2P	ND1-100-2P	1
3P	ND1-100-3P	1
End Caps	NDH1-EC	2



Application

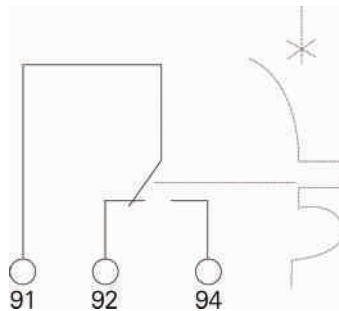
- Installed on the left hand of NDB2 series MCB.
- Indicating the circuit breaker "open" or "closed" contact status.
- Rated operating data

Technical Specification

	Voltage	Current	Voltage	Current	
AC	230V	6A	AC	400V	3A
DC	24V	6A	DC	48V	2A
DC	110V	1A			

- Width: 9mm

Part No: OF2
Pkg/Qty: 1



Application

SD2 Alarm Contact

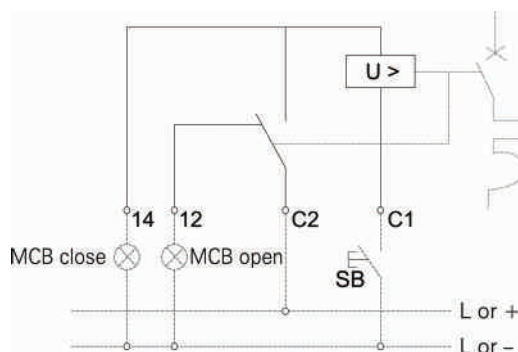
- Installed on the left hand of NDB2 series MCB.
- Indicating the circuit breaker "open" or "closed" contact status.
- Rated operating data

Technical Specification

	Voltage	Current	Voltage	Current	
AC	230V	6A	AC	400V	3A
DC	24V	6A	DC	48V	2A
DC	125V	1A	DC	250V	.04

- Width: 9mm

Part No: SD2
Pkg/Qty: 1



Application

Mx-OF2 Shunt release

- Installed on the left hand of NDB2 series MCBS, remote control of the breaker's tripping
- Indicating the circuit breaker's protection

Technical Specification

- Control Voltage: AC 230V/400V
DC24V/48V
- Width 18mm

Part No: MX-OF2
Pkg/Qty: 1

Visit www.asi-ez.com