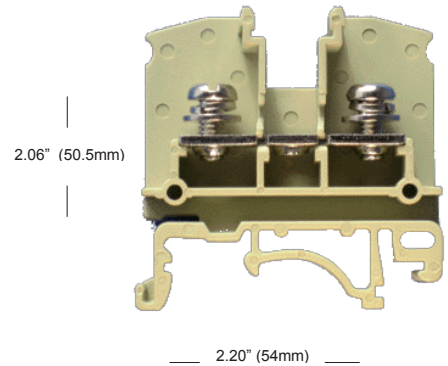


Ring Lug Terminal Block Conectores para Terminal Ojal

The ASIST series of DIN rail mounted terminal blocks is a complete family of modular terminal blocks ranging in size from 1.5mm to 25mm for feed-through wiring. Also included are double level blocks to save space in the panel, multiple connection blocks to reduce wire and terminal block jumpers, fuse blocks and a sliding link block for control transformer and other electrical circuits. The ASIST series is ideal for industries such as electric utilities, switchgear and electrical panel manufacturers and others that require a ring tongue terminal on the wire to insure a secure connection.

The ASIST series of ring lug terminal blocks has more features than competing terminal blocks and are made of higher quality materials, such as UL94V0 polyamide housings. Features include:

- ▶ Housing material rated at UL94V0.
- ▶ Screw accepts both slotted and Phillips head screwdriver.
- ▶ Screw is nickel plated to insure better corrosion protection.
- ▶ Flat and locking washers are standard and provide better contact to terminal and locks terminal in place.
- ▶ Terminal blocks accept a jumper internally for connecting adjacent terminal blocks.
- ▶ Current carrying bar is over 75% bigger than the competition to insure maximum current handling capability.
- ▶ Large marking strips provide easy labeling and they snap onto the blocks in strips of 10 to save time.
- ▶ Double level and multiple connection blocks are available.
- ▶ Fuse blocks are available.
- ▶ Sliding link disconnect blocks are available.



Terminal width .63" (15.5mm)
Terminal espesor

SPECIFICATIONS			ASIST10		
WIRE RANGE Sección Transversal	CURRENT (A) Corriente	VOLTAGE (V) Tensión			
20 - 6 AWG	65	600			
Screw Size / Rosca			M6		
Tightening Torque / Par de apriete			28.5-32.5 Lb In.		
Ordering Information			CATALOG No.	Pcs/Pkg	
Terminal block, standard Beige/Bege			ASI271008	50	
Accessories / Accesorios			CATALOG No.	Pcs/Pkg	
End Cover / Tapa Beige/Bege			ASI272003	25	
Circuit bridges, pre-assembled internal bridge Puentes conectores			2 position	25	
			3 position	25	
			10 position	10	
External Bridges / Puentes Externos			2 position		
			3 position		
Marker System, strip of 10 blank markers			ASI274010	25	
1-10 Horizontal			ASI274011	25	
1-10 Vertical			ASI274012	25	
End Stop / Tope Final Universal (tool-less)			ASIUD1B	25	
35mm rail only			ASIUKBJ	10	
Assembly Marker (mounts on End Stop)					
Mounting Rail / Rieles, slotted symmetrical 35mm x 7.5mm – 2 meter			PR005	1	
			PR005-1M	1	
DIN Rail Cutter			ASI305001	1	
Crimp Tool					
Ring Lugs			22-16 AWG Red	RV1.25-6	100
			16-14 AWG Blue	RV2-6	100
			14-12 AWG Black	RV3.5-6	100
			12-10 AWG Yellow	RV5.5-6	100
Fork Lugs			22-16 AWG Red	SVL1.25-6	100
			16-14 AWG Blue	SVL2-6	100
			14-12 AWG Black	SV3.5-6	100
			12-10 AWG Yellow	SV5.5-6	100