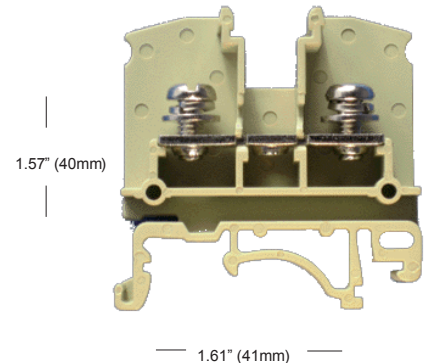


Ring Lug Terminal Block Conectores para Terminal Ojal


The ASIST series of DIN rail mounted terminal blocks is a complete family of modular terminal blocks ranging in size from 1.5mm² to 25mm² for feed-through wiring. Also included are double level blocks to save space in the panel, multiple connection blocks to reduce wire and terminal block jumpers, fuse blocks and a sliding link block for control transformer and other electrical circuits. The ASIST series is ideal for industries such as electric utilities, switchgear and electrical panel manufacturers and others requiring a ring tongue terminal on the wire to insure a secure connection.

The ASIST series of ring lug terminal blocks has more features than competing terminal blocks and are made of higher quality materials, such as UL94V0 polyamide housings. Features include:

- ▶ Screw accepts both slotted and Phillips head screwdriver.
- ▶ Screw is nickel plated to insure better corrosion protection.
- ▶ Flat and locking washers are standard, providing better terminal contact and locking the connector in place.
- ▶ Terminal blocks accept a jumper internally for connecting adjacent terminal blocks.
- ▶ Current carrying bar is over 75% bigger than the competition to insure maximum current handling capability.
- ▶ Large marking strips provide easy labeling and they snap onto the blocks in strips of 10 to save time.
- ▶ Housing material rated at UL94V0.
- ▶ Double level and multiple connection blocks are available.
- ▶ Fuse blocks are available.
- ▶ Sliding link disconnect blocks are available.



Terminal width .38" (9.2mm)
Terminal espesor

SPECIFICATIONS			ASIST5		
			WIRE RANGE Sección Transversal	CURRENT (A) Corriente	VOLTAGE (V) Tensión
Screw Size / Rosca			20 - 10 AWG	35	600
Tightening Torque / Par de apriete			M4		
Ordering Information			13.5-15.5 Lb In.		
Terminal block, standard Beige/Bege			CATALOG No.	Pcs/PKG	
Accessories / Accesorios			ASI271004	50	
End Cover / Tapa			CATALOG No.	Pcs/PKG	
Beige/Bege			ASI272001	25	
Circuit bridges, pre-assembled internal bridge Puentes conectores			ASI273004	25	
2 position			ASI273005	25	
3 position			ASI273006	10	
10 position			ASI273021	25	
External Bridges / Puentes Externos			ASI273022	25	
2 position			ASI274004	25	
3 position			ASI274005	25	
Marker System, strip of 10 blank markers			ASI274006	25	
1-10 Horizontal			ASIUD1B	25	
1-10 Vertical			ASIUKBJ	10	
End Stop / Tope Final			PR005	1	
Universal (tool-less) 35mm rail only			PR005-1M	1	
Assembly Marker (mounts on End Stop)			ASI305001	1	
Mounting Rail / Rieles, slotted symmetrical 35mm x 7.5mm – 2 meter 1 meter			Crimp Tool		
DIN Rail Cutter			Ring Lugs	22-16 AWG 16-14 AWG 14-12 AWG 12-10 AWG	Red Blue Black Yellow
Crimp Tool			Ring Lugs	22-16 AWG 16-14 AWG 14-12 AWG	Red Blue Black
DIN Rail Cutter			Fork Lugs	22-16 AWG 16-14 AWG 14-12 AWG	Red Blue Black
Crimp Tool			Fork Lugs	22-16 AWG 16-14 AWG 14-12 AWG	Red Blue Black