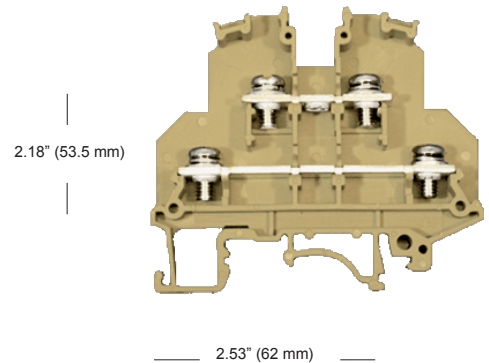


Ring Lug Double Level Terminal Block Conectores para Terminal Ojal

The ASIST series of DIN rail mounted terminal blocks is a complete family of modular terminal blocks ranging in size from 1.5mm to 25mm for feed-through wiring. Also included are double level blocks to save space in the panel, multiple connection blocks to reduce wire and terminal block jumpers, fuse blocks and a sliding link block for control transformer and other electrical circuits. The ASIST series is ideal for industries such as electric utilities, switchgear and electrical panel manufacturers and others that require a ring tongue terminal on the wire to insure a secure connection.



The ASIST series of ring lug terminal blocks has more features than competing terminal blocks and are made of higher quality materials, such as UL94V0 polyamide housings. Features include:

- ▶ Screw accepts both slotted and Phillips head screwdriver.
- ▶ Screw is nickel plated to insure better corrosion protection.
- ▶ Flat and locking washers are standard and provide better contact to terminal and locks terminal in place.
- ▶ Terminal blocks accept a jumper internally for connecting adjacent terminal blocks.
- ▶ Current carrying bar is over 75% bigger than the competition to insure maximum current handling capability.
- ▶ Housing material rated at UL94V0.
- ▶ Large marking strips provide easy labeling and they snap onto the blocks in strips of 10 to save time.
- ▶ Double level and multiple connection blocks are available.
- ▶ Fuse blocks are available.
- ▶ Sliding link disconnect blocks are available.



Terminal width .38" (9.2 mm)
Terminal espesor

ASIST5-DL

SPECIFICATIONS			WIRE RANGE Sección Transversal	CURRENT (A) Corriente	VOLTAGE (V) Tensión
			20 - 10 AWG	30	600
Screw Size / Rosca			M4		
Tightening Torque / Par de apriete			13.5-15.5 Lb In.		
Ordering Information			CATALOG No.	Pcs/PKG	
Terminal block,	standard	Beige/Bege	ASI271014	50	
Accessories / Accesorios			CATALOG No.	Pcs/PKG	
End Cover / Tapa	Beige/Bege		ASI272005	25	
Circuit bridges, pre-assembled internal bridge Puentes conectores	2 position 3 position 10 position		ASI273004 ASI273005 ASI273006	25 25 10	
Internal Jumpers	2 position 3 position		ASI273021 ASI273022	25 25	
Marker System, strip of 10 blank markers	1-10 Horizontal 1-10 Vertical				ASI274004 25 ASI274005 25 ASI274006 25 ASI434013H 10 ASI434014V 10
End Stop / Tope Final	Universal (tool-less) 35mm rail only		ASIUD1B ASIUKBJ	25 10	
Assembly Marker (mounts on End Stop)					
Mounting Rail / Rieles, slotted symmetrical 35mm x 7.5mm – 2 meter 1 meter			PR005 PR005-1M	1 1	
DIN Rail Cutter			ASI305001	1	
Crimp Tool					
Ring Lugs	22-16 AWG 16-14 AWG 14-12 AWG 12-10 AWG	Red Blue Black Yellow	RVS5.5-4 RV3.5-4 RVS2-4 RVL1.25-4	100 100 100 100	
Fork Lugs	22-16 AWG 16-14 AWG 14-12 AWG	Red Blue Black	SVM1.25-4 SVM2-4 SV3.5-4	100 100 100	