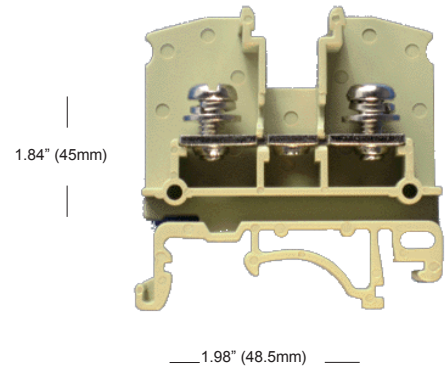


## Ring Lug Terminal Block Conectores para Terminal Ojal



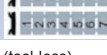
The ASIST series of DIN rail mounted terminal blocks is a complete family of modular terminal blocks ranging in size from 1.5mm to 25mm for feed-through wiring. Also included are double level blocks to save space in the panel, multiple connection blocks to reduce wire and terminal block jumpers, fuse blocks and a sliding link block for control transformer and other electrical circuits. The ASIST series is ideal for industries such as electric utilities, switchgear and electrical panel manufacturers and others that require a ring tongue terminal on the wire to insure a secure connection.

The ASIST series of ring lug terminal blocks has more features than competing terminal blocks and are made of higher quality materials, such as UL94V0 polyamide housings. Features include:

- ▶ Screw accepts both slotted and Phillips head screwdriver.
- ▶ Screw is nickel plated to insure better corrosion protection.
- ▶ Flat and locking washers are standard and provide better contact to terminal and locks terminal in place.
- ▶ Terminal blocks accept a jumper internally for connecting adjacent terminal blocks.
- ▶ Current carrying bar is over 75% bigger than the competition to insure maximum current handling capability.
- ▶ Housing material rated at UL94V0.
- ▶ Large marking strips provide easy labeling and they snap onto the blocks in strips of 10 to save time.
- ▶ Double level and multiple connection blocks are available.
- ▶ Fuse blocks are available.
- ▶ Sliding link disconnect blocks are available.



Terminal width .55" ( 13.5mm)  
Terminal espesor

SPECIFICATIONS		
		
Screw Size / Rosca		
Tightening Torque / Par de apriete		
Ordering Information		
Terminal block,	standard	Beige/Bege
Accessories / Accesorios		
End Cover / Tapa		
		Beige/Bege
Circuit bridges, pre-assembled internal bridge Puentes conectores		
	2 position	
	3 position	
	10 position	
External Bridges / Puentes Externos		
	2 position	
	3 position	
Marker System, strip of 10 blank markers		
	1-10 Horizontal	
	1-10 Vertical	
End Stop / Tope Final		
	Universal (tool-less)	
	35mm rail only	
Assembly Marker (mounts on End Stop)		
Mounting Rail / Rieles, slotted symmetrical 35mm x 7.5mm – 2 meter 1 meter		
DIN Rail Cutter		
Crimp Tool		
Ring Lugs	22-16 AWG 16-14 AWG 14-12 AWG 12-10 AWG	Red Blue Black Yellow
Fork Lugs	22-16 AWG 16-14 AWG 14-12 AWG 12-10 AWG	Red Blue Black Yellow

ASIST6		
WIRE RANGE Sección Transversal	CURRENT (A) Corriente	VOLTAGE (V) Tensión
20 - 8 AWG	50	600
M5		
18-22 Lb In.		
CATALOG No.	Pcs/Pkg	
ASI271006	50	
CATALOG No.	Pcs/Pkg	
ASI272002	25	
ASI273007	25	
ASI273008	25	
ASI273009	10	
ASI273023	25	
ASI273024	25	
ASI274007	25	
ASI274008	25	
ASI274009	25	
ASIUD1B	25	
ASIUKJBJ	10	
PR005	1	
PR005-1M	1	
ASI305001	1	
RV1.25-5	100	
RVL2-5	100	
RVL3.5-5	100	
RV5.5-5	100	
SVL1.25-5	100	
SVL2-5	100	
SV3.5-5	100	
SV5.5-5	100	