

Weidmüller® Competitive Equivalent Terminal Blocks

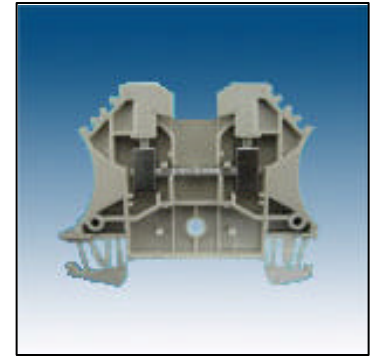
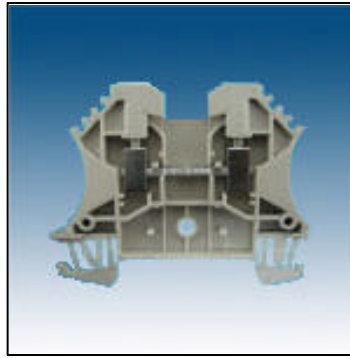
The ASIWDU series of IEC terminal blocks is the first terminal block series that is totally compatible with manufacturers such as Weidmüller. The ASIWDU terminal blocks feature the same quality design features and materials of the popular WDU series with added improvements including nickel plated copper alloy metal bodies and plated high tensile alloy screws. Careful attention to detail has been given to this product family so that accessories are interchangeable and the costs associated with using another brand are eliminated.

One of the added features with the ASIWDU series terminal blocks along with others of similar spacing, is the ability to use a low-cost plug-in jumper.

The ASIWDU series meets international approvals including UL and cUL and all products are RoHS compliant.

A short cross-reference is shown below while a more complete one that can be found at www.asi-ez.com or by calling ASI toll free at 877 650 5160.

ASI Type	Weidmüller
ASIWDU2.5	WDU2.5
ASIWDU4	WDU4



Terminal Width 5mm

Terminal Width 6mm

ASIWDU2.5

ASIWDU4

Specifications				
Wire range, AWG	28-12		28-10	
Current Rating	25		35	
Voltage Rating	600		600	
Dimensions (L x H) mm	60 x 39.5		60 x 39.5	
Ordering Information				
	Order #	Pcs/	Order #	Pcs/
	PkG		PkG	
Terminal Block	ASIWDU2.5	50	ASIWDU4	50
Accessories				
End cover	ASIWAP105000	25	ASIWAP105000	25
Circuit Bridges				
Push-in 10 position	ASIUFBS105	10	ASIUFBS106	10
TB Markers	ASI434000		ASI434004	
Blank	ASI434003		ASI434006	
Custom	ASIWS5C.....	...	ASIWS6C.....	...
End-Stop (snap-on) Black	ASIUD1B	25	ASIUD1B	25
DIN Rail (2 meters)				
7.5 x 35mm slotted	PR005	1	PR005	1
7.5 x 35mm non-slotted	PR003	1	PR003	1
15 x 35mm slotted	PR006	1	PR006	1
15 x 35mm non-slotted	PR007	1	PR007	1

To locate additional product specifications and technical drawings go to www.asi-ez.com