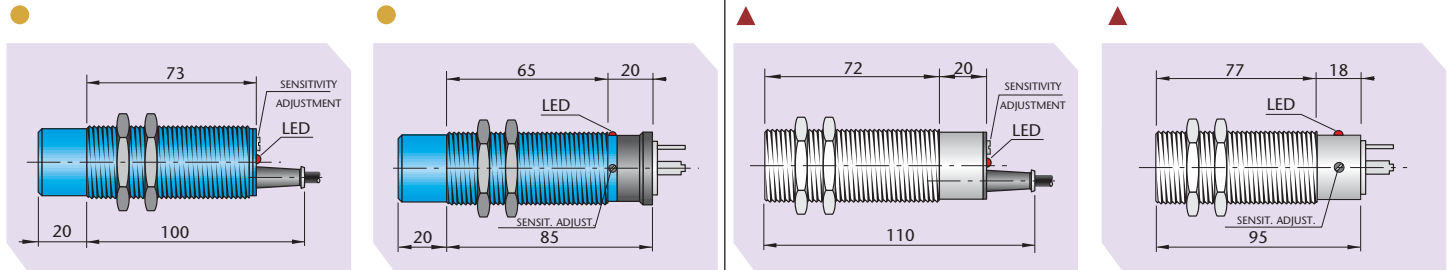


CAPACITIVE SENSORS M30 x 1.5



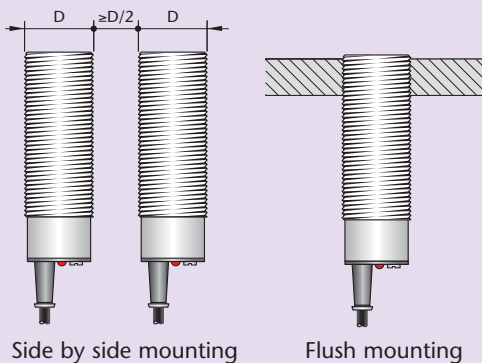
CYLINDRICAL HOUSING PLASTIC OR METALLIC
2 WIRES A.C./D.C.
VERSION-A



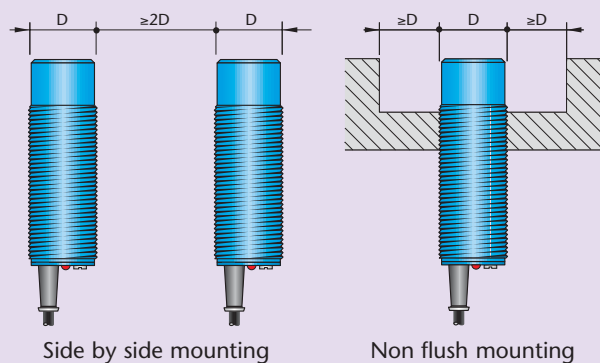
SC30P - AE25 NO*	SC30P - AE25 NO/NC K	SC30M - A20 NO*	SC30M - A20 NO/NC K
SC30P - AE25 NC*	PROGRAMMABLE	SC30M - A20 NC*	PROGRAMMABLE
0 ÷ 25	0 ÷ 25	0 ÷ 20	0 ÷ 20
20 ÷ 250			
20 ÷ 250			
In relation to Sn			
10			
< 1			
500			
10 (Min. release current)			
1.5			
≤ 2			
< 6			
Incorporated (Up to 50V in d.c.)			
Incorporated			
- 20 ÷ + 70			
67	65	67	65
Blue plastic makrolon		Nickelled brass	
3 x 0.50 mm ²		3 x 0.50 mm ²	
Possible mounting (SCM-P)		K (type 12)	
Possible mounting (SCM-K)		K (type 12)	

INSTRUCTIONS FOR CORRECT INSTALLATION

EMBEDDABLE



NOT EMBEDDABLE



* Models with NO/NC programmable output are available on request.

To locate additional product specifications and technical drawings go to www.asi-ez.com