

CAPACITIVE SENSORS M30 x 1.5

CYLINDRICAL HOUSING METALLIC
2 WIRES A.C./D.C.
VERSION-A

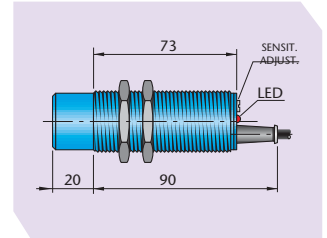
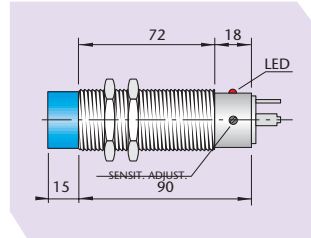
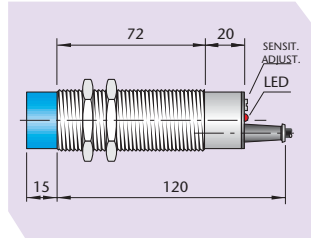


CYLINDRICAL HOUSING PLASTIC
RELAY OUTPUT
VERSION-R

● **NOT EMBEDDABLE**
(NON FLUSH MOUNTING)

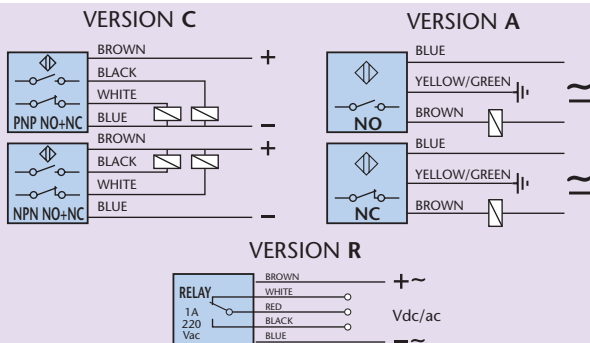
TECHNICAL CHARACTERISTICS

Dimensions mm



AMPLIFIED 4 WIRES D.C. ANTIPHASE	NPN	NO+NC			
	PNP	NO+NC			
AMPLIFIED 2 WIRES A.C./D.C.		NO	SC30M - AE25 NO*	SC30M - AE25 NO/NC K	SC30P - RE 25
		NC	SC30M - AE25 NC*	PROGRAMMABLE	RELAY CHANGEOVER
Switching distance (Sn) adjustable	mm		0 ÷ 25		0 ÷ 25
Continuous voltage (residual ripple ≤10%)	V		20 ÷ 250		18 ÷ 50
Alternating voltage 50÷60 Hz	V		20 ÷ 250		18 ÷ 240
Hysteresis (%Sn)	mm		In relation to Sn		In relation to Sn
Switching frequency	Hz		10		10
Repeatability (at constant temperature)	mm		< 1		< 1
Max output current	mA		500		Changeover 1A - 220Vac
Min output current	mA		10 (Min. release current)		
Max peak current for 20 ms	A		1.5		
Absorption	mA				< 20 Relay on
Residual current	mA		≤ 2		
Voltage drop (sensor ON)	V		< 6		
Short circuit protection			Incorporated (Up to 50V in d.c.)		
Led			Incorporated		Incorporated
Temperature limits	°C		- 20 ÷ + 70		- 20 ÷ + 70
Degree of protection	IP		67	65	67
Housing			Nickelled brass		Red plastic makrolon
Cable PVC	2m		3 x 0.50 mm ²		5 x 0.35 mm ²
Connector plug				K (type 12)	
Protection housing				Possible mounting (SCM-K)	Possible mounting (SCM-P)

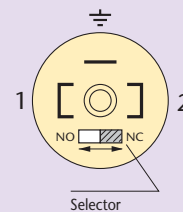
WIRING DIAGRAMS



N.B.: On request is available cable for sensors with different length
3.5 - 7.5 - 5 - 10 metres.

* Models with NO/NC programmable output are available on request.

CONNECTION WITH K PLUG FOR CONNECTOR TYPE 12 (PAGE 85)



VIEW OF MALE CONNECTOR K
1 / 2 = \approx NO - NC Programmable

To locate additional product specifications and technical drawings go to www.asi-ez.com