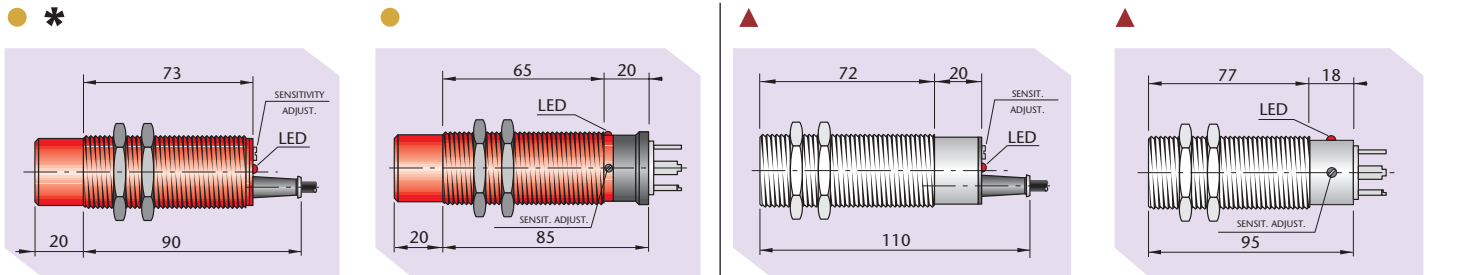


CAPACITIVE SENSORS M30 x 1.5



CYLINDRICAL HOUSING PLASTIC OR METALLIC
4 WIRES D.C.
VERSION-C



SC30P - CE25 NPN NO + NC*	SC30P - CE25 NPN NO + NC K	SC30M - C20 NPN NO + NC	SC30M - C20 NPN NO + NC K
SC30P - CE25 PNP NO + NC*	SC30P - CE25 PNP NO + NC K	SC30M - C20 PNP NO + NC	SC30M - C20 PNP NO + NC K
0 ÷ 25	0 ÷ 25	0 ÷ 20	0 ÷ 20

10 ÷ 55

In relation to Sn

10

< 1

300

≤ 10

< 1.8

Incorporated

Incorporated

- 20 ÷ + 70

67

65

67

65

Red plastic makrolon

Nickelled brass

4 x 0.25 mm²

4 x 0.25 mm²

H (on request)

K (type 12)

H (on request)

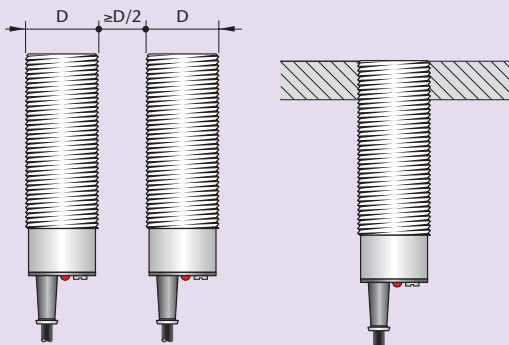
K (type 12)

Possible mounting (SCM-P)

Possible mounting (SCM-K)

INSTRUCTIONS FOR CORRECT INSTALLATION

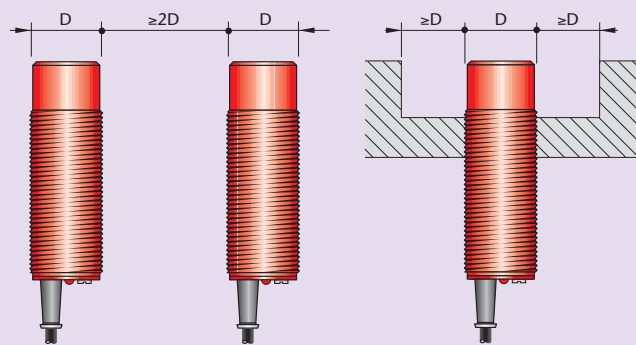
EMBEDDABLE



Side by side mounting

Flush mounting

NOT EMBEDDABLE



Side by side mounting

Non flush mounting

* This models can be supplied with protection ESD=27KV. When ordering add 27KV to the description.

To locate additional product specifications and technical drawings go to www.asi-ez.com