

The CLA family of printed circuit board terminal blocks are molded in sizes ranging from 2 to 24 positions. The CLA block is rated at 14 Amps, 300 volts and can handle a wire range of 30-12 AWG. They are also available in a right angle pin version. The standard color of the CLA terminal block is green, however they are available in other colors upon request.

SPECIFICATIONS

| | |
|-----------------------|----------------------------------|
| Housing Material - | PA68 Polyamide, Flammable UL94V0 |
| Housing Color - | Green |
| Screw - | Zinc Plated Steel |
| Clamp - | Nickel Plated Brass |
| Pin - | Tin Plated Brass |
| Testing torque - | 4.4 in/lb |
| Wire range - | 30-12 AWG |
| P.C.B mounting hole - | 1.5mm |
| Nominal current - | 14 A |
| Voltage - | 300 V |
| Temperature - | 85° C |

| Part # | No. Positions |
|-------------|---------------|
| CLA5-2SQVE | 2 |
| CLA5-3SQVE | 3 |
| CLA5-4SQVE | 4 |
| CLA5-5SQVE | 5 |
| CLA5-6SQVE | 6 |
| CLA5-7SQVE | 7 |
| CLA5-8SQVE | 8 |
| CLA5-9SQVE | 9 |
| CLA5-10SQVE | 10 |
| CLA5-11SQVE | 11 |
| CLA5-12SQVE | 12 |
| CLA5-13SQVE | 13 |
| CLA5-14SQVE | 14 |
| CLA5-15SQVE | 15 |
| CLA5-16SQVE | 16 |
| CLA5-17SQVE | 17 |
| CLA5-18SQVE | 18 |
| CLA5-19SQVE | 19 |
| CLA5-20SQVE | 20 |
| CLA5-21SQVE | 21 |
| CLA5-22SQVE | 22 |
| CLA5-23SQVE | 23 |
| CLA5-24SQVE | 24 |

CLA

Blocco unico
Monobloc

Single block
Einzelblock

Poli
Póles

Poles
Polzahl

2/24

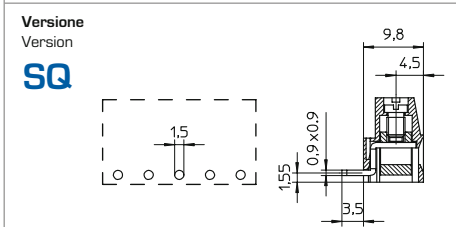
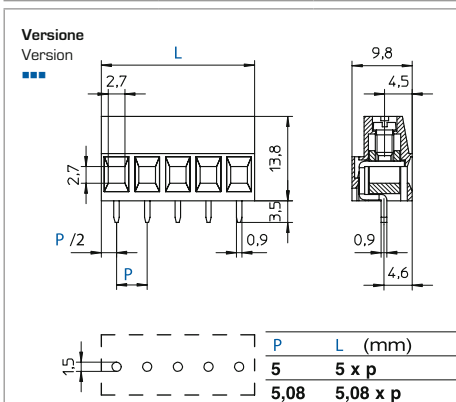


| | |
|-----|------|
| 5 | 5,08 |
| 250 | |
| 24 | |

| | | |
|--------------------|----------------------|----------------------|
| | | |
| 0,2 ÷ 4 30 ÷ 12 | 0,2 ÷ 2,5 30 ÷ 12 | 0,2 ÷ 2,5 30 ÷ 12 |
| 6 | | |
| 0,5 | / | 4 |
| 110 | | |
| PA - UL 94 V0 | | |
| M3 | | |
| | | 0,6 x 3,5 |

| V | A | mm ² /AWG |
|-----|----|----------------------|
| 250 | 24 | 0,5 ÷ 2,5 |
| 250 | 24 | 0,5 ÷ 2,5 |
| 300 | 14 | 30 ÷ 12 |

| |
|----------------|
| min 2 - max 24 |
| VE |
| D/A1 |



CLA

Blocco unico
Monobloc

Single block
Einzelblock

Poli
Póles

Poles
Polzahl

2/12



| | |
|-----|--|
| 7,5 | |
| 500 | |
| 24 | |

| | | |
|--------------------|----------------------|----------------------|
| | | |
| 0,2 ÷ 4 30 ÷ 12 | 0,2 ÷ 2,5 30 ÷ 12 | 0,2 ÷ 2,5 30 ÷ 12 |
| 6 | | |
| 0,5 | / | 4 |
| 110 | | |
| PA - UL 94 V0 | | |
| M3 | | |
| | | 0,6 x 3,5 |

| V | A | mm ² /AWG |
|-----|----|----------------------|
| 750 | 24 | 0,5 ÷ 2,5 |
| 750 | 24 | 0,5 ÷ 2,5 |
| 300 | 14 | 30 ÷ 12 |

| |
|----------------|
| min 2 - max 12 |
| VE |
| D/A1 |

