

The CLA family of printed circuit board terminal blocks are molded in sizes ranging from 2 to 24 positions. The CLA block is rated at 14 Amps, 300 volts and can handle a wire range of 30-12 AWG. They are also available in a right angle pin version. The standard color of the CLA terminal block is green, however they are available in other colors upon request.

## SPECIFICATIONS

Housing Material -	PA68 Polyamide, Flammable UL94V0
Housing Color -	Green
Screw -	Zinc Plated Steel
Clamp -	Nickel Plated Brass
Pin -	Tin Plated Brass
Testing torque -	4.4 in/lb
Wire range -	30-12 AWG
P.C.B mounting hole -	1.5mm
Nominal current -	14 A
Voltage -	300 V
Temperature -	85° C

Part #	No. Positions
CLA7.5-2VE	2
CLA7.5-3VE	3
CLA7.5-4VE	4
CLA7.5-5VE	5
CLA7.5-6VE	6
CLA7.5-7VE	7
CLA7.5-8VE	8
CLA7.5-9VE	9
CLA7.5-10VE	10
CLA7.5-11VE	11
CLA7.5-12VE	12

## CLA CLA..SQ

Blocco unico Monobloc	Single block Einzelblock	
Poli Poles	Poles Polzahl	2/24

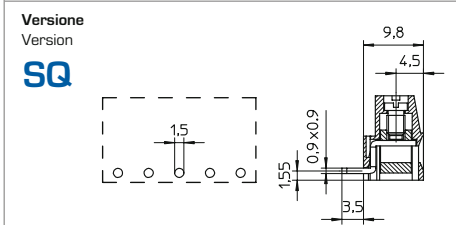
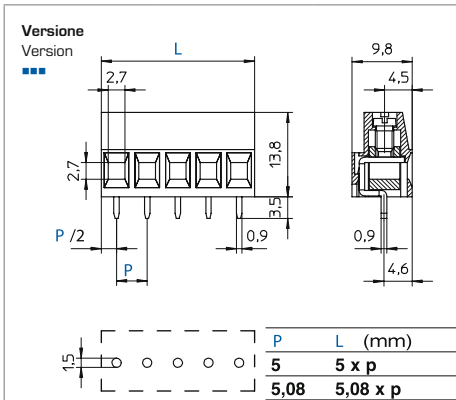


5	5,08
250	
24	

0,2 ÷ 4 30 ÷ 12	0,2 ÷ 2,5 30 ÷ 12	0,2 ÷ 2,5 30 ÷ 12
6		
0,5	/	4
110		
PA - UL 94 V0		
M3		
	0,6 x 3,5	

V	A	mm <sup>2</sup> /AWG
250	24	0,5 ÷ 2,5
250	24	0,5 ÷ 2,5
300	14	30 ÷ 12

min 2 - max 24
D/A1



## CLA CLA..SQ

Blocco unico Monobloc	Single block Einzelblock	
Poli Poles	Poles Polzahl	2/12



7,5	
500	
24	

0,2 ÷ 4 30 ÷ 12	0,2 ÷ 2,5 30 ÷ 12	0,2 ÷ 2,5 30 ÷ 12
6		
0,5	/	4
110		
PA - UL 94 V0		
M3		
	0,6 x 3,5	

V	A	mm <sup>2</sup> /AWG
750	24	0,5 ÷ 2,5
750	24	0,5 ÷ 2,5
300	14	30 ÷ 12

min 2 - max 12
D/A1

