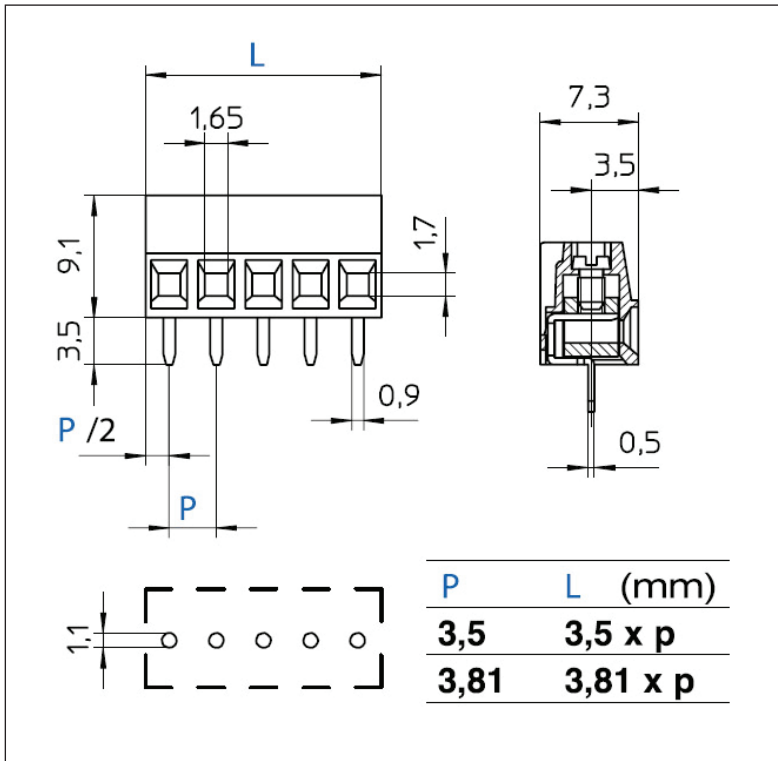
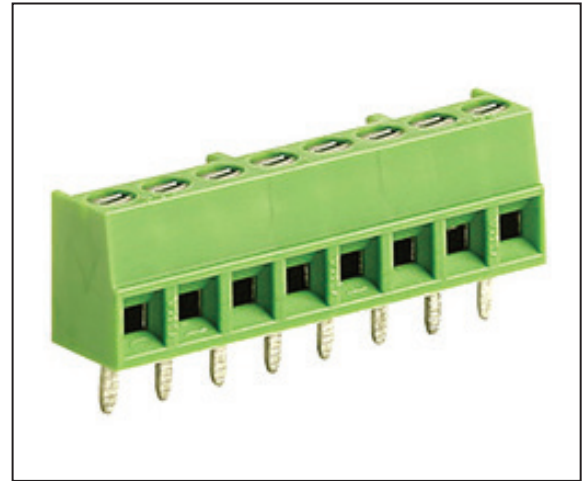


The CPA is a single sub-miniature printed circuit board terminal block that is available in several pin spacings and from 2 to 20 positions. The CPA uses a moving metal body design for the termination of the wire to insure maximum reliability. The CPA is UL recognized and will terminate wire ranging from 30 to 16 AWG and will handle 10 Amps at 300 Volts. The CPA is available in a right angle version. The standard color is green, however several other colors are available upon request.

SPECIFICATIONS

Housing Material: PA68 Polyamide, UL94V0
Housing Color: Green
Screw: Zinc Plated Steel
Clamp: Nickel Plated Brass
Pin: Tin Plated Brass
Testing Torque: 2.7 in lb
Wire Range: 30-16 AWG
Nominal Current: 10A
Voltage: 300V
Temperature Range: -30° C to 85° C



Item	No. of Poles	Length (mm)
CPA3.81-2V01VE	2	7.62
CPA3.81-3V01VE	3	11.43
CPA3.81-4V01VE	4	15.24
CPA3.81-5V01VE	5	19.05
CPA3.81-6V01VE	6	22.86
CPA3.81-7V01VE	7	26.67
CPA3.81-8V01VE	8	30.48
CPA3.81-9V01VE	9	34.29
CPA3.81-10V01VE	10	38.1
CPA3.81-11V01VE	11	41.91
CPA3.81-12V01VE	12	45.72