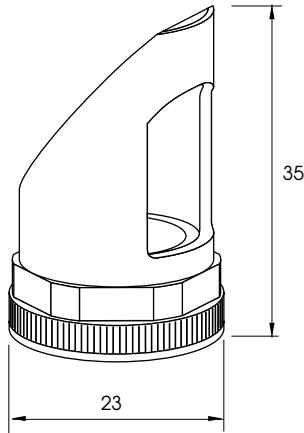




Accessories

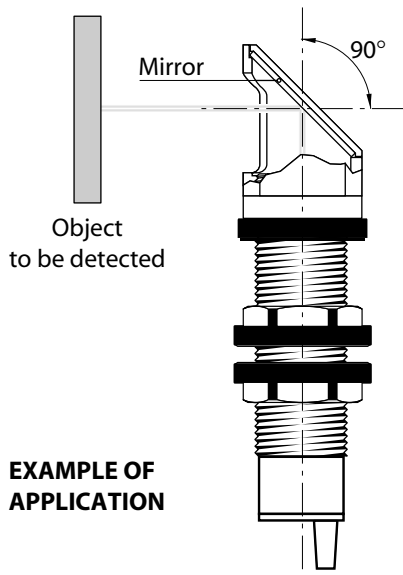
ACCESSORIES FOR PHOTOELECTRIC SENSORS M18

Accessory for reading at 90° (Art. DEV90)



Ray turner for 90° sensing of cylindrical photoelectric sensors M 18. It can be used for DIFFUSE REFLECTIVE, RETRO REFLECTIVE, POLARIZED RETRO REFLECTIVE, EMITTERS AND RECEIVERS THRU BEAM system.

Weight 7 g



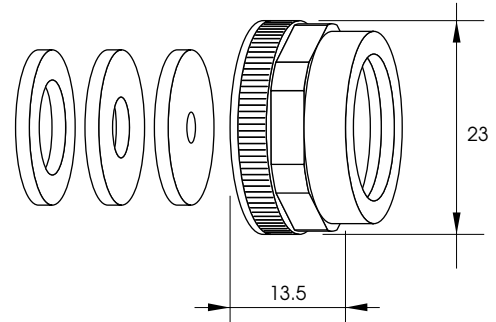
WARNING

The ray turner determines an attenuation of the switching distance that can be computed as follows:

$$DR = \frac{D - 2}{100} \times 80$$

where "D" is the sensor switching distance indicated in cm and "DR" is the real switching distance indicated in cm.

Shutter for emitter-receiver Thru Beam (Art. P18OTT)



WARNING:

each package contains three shutter disks

Weight 5 g

Accessory to detect small size objects with emitter-receiver cylindrical thru beam M18.

SHUTTING DIAM.	MIN. OBJECT TO BE DETECTED	DISTANCE ATTENUATION
2 mm	≥ 2 mm	97 %
4 mm	≥ 4 mm	84 %
8 mm	≥ 8 mm	54%

WARNING:

the datum "Minimum object to be sensed" refers to the condition of shutter mounted on emitter receiver.

EXAMPLE OF APPLICATION

