



KG1... - KR1...

OPEN MODEL



KG2... - KR2...

WITH COVER MODEL

## One pedal foot switches

Quantity per package: 1

Contacts	Body	Order code							
		With free actuation	With safety lever	With pedal actuator lock	With free actuation	With safety lever	With pedal actuator lock	With two-stage safety lever	
1NO+1NC Snap action ①	Plastic Metal	KG1 00 S11 KR1 00 S11	KG1 10 S11 KR1 10 S11	KG1 20 S11 KR1 20 S11	KG2 00 S11 KR2 00 S11	KG2 10 S11 KR2 10 S11	KG2 20 S11 KR2 20 S11		
1NO+1NC Slow break ①	Plastic Metal	KG1 00 L11 KR1 00 L11	KG1 10 L11 KR1 10 L11	KG1 20 L11 KR1 20 L11	KG2 00 L11 KR2 00 L11	KG2 10 L11 KR2 10 L11	KG2 20 L11 KR2 20 L11		
2NO+2NC Snap action ①	Plastic Metal					KG2 10 S22 KR2 10 S22			
2NO+2NC 2-stage snap action ①	Plastic Metal							KG2 11 S22 KR2 11 S22	

① Direct operating operation  $\ominus$ ; safety function according to IEC/EN 60947-5-1.

KGD 001 - KGD 002  
KRD 001 - KRD 002



WITH COVER MODEL

KGD 003 - KRG 004  
KRD 003 - KRD 004



LEFT OPEN - RIGHT WITH COVER MODEL

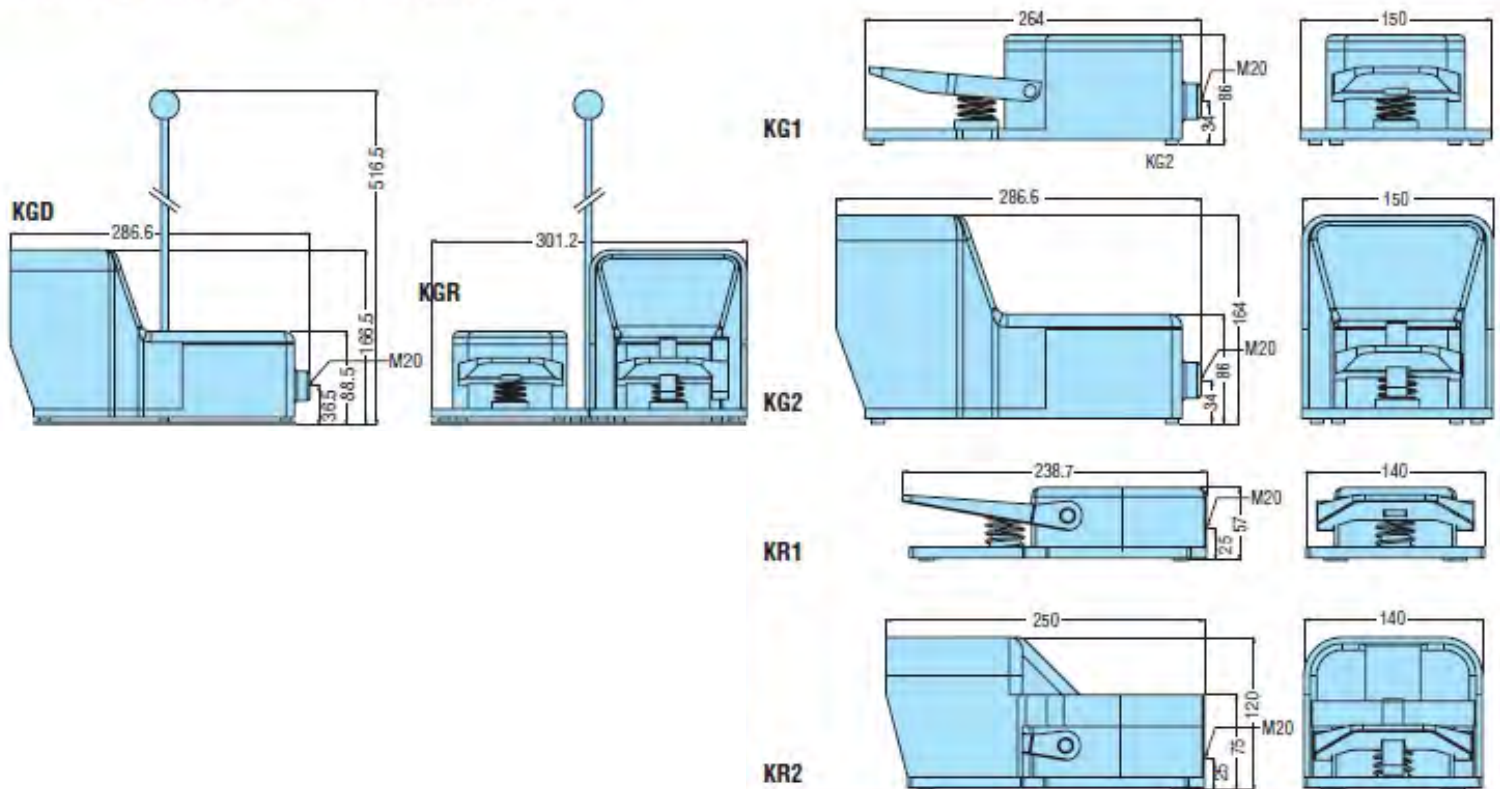
## Two pedal foot switches

Quantity per package: 1

Contacts	Body	Order code	
		With safety lever on both pedals	Left pedal with free actuation and right pedal with safety lever
1NO+1NC Snap action ①	Plastic Metal	KGD 001 KRD 001	KGD 003 KRD 003
2NO+2NC Snap action ①	Plastic Metal	KGD 002 KRD 002	
1NO+1NC Snap action ① (left) 2NO+2NC Snap action ① (right)	Plastic Metal		KGD 004 KRD 004

① Direct opening operation  $\ominus$ ; safety function according to IEC/EN 60947-5-1.

## Foot switches - Dimensions [mm]



## Technical characteristics

### GENERAL CHARACTERISTICS

- Thermoplastic or metal version are available. The plastic or metal body gives adequate robustness to the foot switch, for installation in all ambient and application conditions.
- Versions complete with or without pedal protection cover. The cover assures protection against accidental foot switch operation, due to sudden tool or heavy material dropping or other shock or vibration.
- Versions with safety lever. The safety mechanism prevents unintentional foot switch activation and excludes the pedal to be pressed if the operator's foot is not completely in place.
- Stable pedal base. The foot switch is equipped with rubber feet and metal-reinforced base for a firm and non-sliding position and a more reliable and safe activation.

### OPERATIONAL CHARACTERISTICS

- Mechanical life: >10 million cycles
- Conventional thermal current I<sub>th</sub>: 10A

- IEC/EN 60947-5-1 designation:
  - A600 Q600 for KG types
  - A300 Q300 for KR types
- Rated insulation voltage U<sub>i</sub>:
  - 690VAC for KG types
  - 440VAC for KR types
- Rated impulse withstand voltage U<sub>imp</sub>:
  - 6kV for KG types
  - 4kV for KR types
- Class II insulation (KG types only)
- Contact resistance: <10mΩ
- Degree of protection:
  - IP20 for terminals
  - IP54 for body housing
  - IP65 available on request (add the letter **S** at the end of the order code. E.g. **KG1 00 S11S**)
- Housing:
  - KG types: self-extinguishing double insulation polymer thermoplastic
  - KR types: aluminium-zinc alloy
- Operating temperature: -25...+70°C
- Storage temperature: -40...+70°C

- Cable entry: M20 standard supplied; PG13.5 available. See the note below for details.

### M20 CABLE ENTRY.

For types with **PG13.5** cable entry, add the letter **P** at the end of the order code. E.g. **KG1 00 S11P**.



### CERTIFICATIONS AND COMPLIANCE

Certifications obtained:

**CE** **UL** **us** (contacts only).

Compliant with standards:

IEC/EN 60947-1, IEC/EN 60947-5-1, IEC/EN 60204-1, EN292, EN 60447.