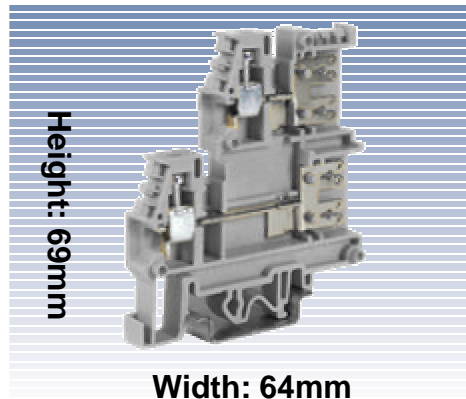


Tab Connection Feed Through Terminal Blocks

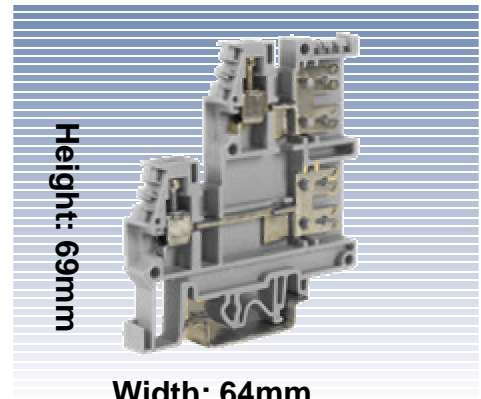
The tab connection terminal blocks provide a convenient method of connecting wires that have to be equipped with .250 inch push-on crimp terminals.

A variety of wiring options are available which can provide the ability to connect multiple wires together in the same terminal block, reducing the amount of space required in your equipment.



Terminal width .24" (6.5mm) Wire strip length .47" (12mm)

FFS.4/GR



Terminal width .24" (6.5mm) Wire strip length .47" (12mm)

FVS.4/GR

SPECIFICATIONS		WIRE RANGE	CURRENT (A)	VOLTAGE (V)	WIRE RANGE	CURRENT (A)	VOLTAGE (V)
Connection Data 1059 No. 22-2, No. 158 IEC 947-7-1		20 - 10 AWG 20 - 12 AWG 20 - 12 AWG 0.5 - 4mm	20 20	600 150 - 300 320	20 - 10 AWG 20 - 10 AWG 20 - 12 AWG 0.5 - 4mm	20 20	600 150 - 300 320
ORDERING INFORMATION		TYPE	CATALOG NO.	Pcs/PKG	TYPE	CATALOG NO.	Pcs/PKG
Terminal block,	Grey	FFS.4/GR	FF100GR	120	FVS.4/GR	FV100GR	120
ACCESSORIES		TYPE	CATALOG NO.	Pcs/PKG	TYPE	CATALOG NO.	Pcs/PKG
End cover, width .06" (1.5mm)	Grey	FFS/PT/GR	FF101GR	25	FVS/PT/GR	FV101GR	25
Circuit bridges, pre-assembled internal bridge	2 position 3 position 5 position 10 position	PM20/2 PM20/3 PM20/5 PM20/10	PM202 PM203 PM205 PM210	25 25 25 10			
Multiple circuit bridge bar, 250mm	2 through 45 circuits based on length, used with bridge kit, CPM	PMP/42	PMP42	8	PMP/42	PMP42	8
Circuit bridge kit, consists of screw and spacer, used with bridge bar		CPM/01	CPM01	25	CPM/01	CPM01	25
Partition plate,	White Red Green	— — —			DFU/6/E DFU/6/R DFU/6/V	DU06B DU06R DU06V	25 25 25
Test socket, for circuit testing with test plug (SDD)		PSD/A	PD001	50	PSD/A	PD001	50
Test plug, for circuit testing with test socket (PSD)		SDD/1	DD001	50	SDD/1	DD001	50
Marking system,	blank marker printed marker custom marker universal marker	SNZ/65/00 SNZ/65/... CM CNU/8/030	SN006 SN6.. CM.. NU008	60 60 5	SNZ/65/00 SNZ/65/... CM CNU/8/030	SN006 SN6.. CM.. NU008	60 60 5
End stop, width .31" (8mm)	universal 35mm rail only	BTU BT/3	BT005 BT003	25 25	BTU BT/3	BT005 BT003	25 25
Mounting rail, DIN (2 meter length)	non-slotted symmetrical 35mm x 7.5mm slotted symmetrical 35mm x 7.5mm non-slotted symmetrical 35mm x 15mm slotted symmetrical 35mm x 15mm	PR/3/AC PR/3/AS PR/3/PP PR/3/PA	PR003 PR005 PR007 PR006	1 1 1 1	PR/3/AC PR/3/AS PR/3/PP PR/3/PA	PR003 PR005 PR007 PR006	1 1 1 1