

# Switch disconnectors

## Accessories

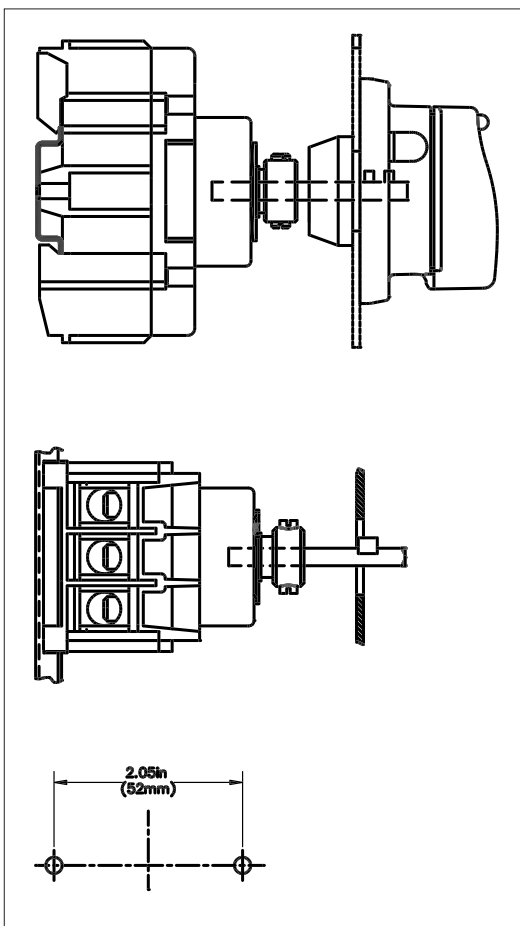


GUSH2



GUSS150

Characteristics	Catalog number	
<b>Handles.</b>		
Black padlockable IP65 handle	GUSH2	
Red/yellow padlockable IP65 handle	GUSH3	
<b>Door interlock extensions.</b>		
3 1/2in (90mm) long	GUSS090	
6in (150mm) long	GUSS150	
8in (200mm) long	GUSS200	
12in (300mm) long	GUSS300	



### General characteristics

The handle is supplied complete with:

- Front plate (bezel)
- Shaft guide collar
- 3 plastic-threading screws, one of which to attach the front plate to the panel and the other two to attach the collar to the front plate
- Rotary knob with gasket.

### Certifications and compliance

UL listed for USA and Canada, File E 155982.

Compliant with standards: IEC/EN 60947-3.

