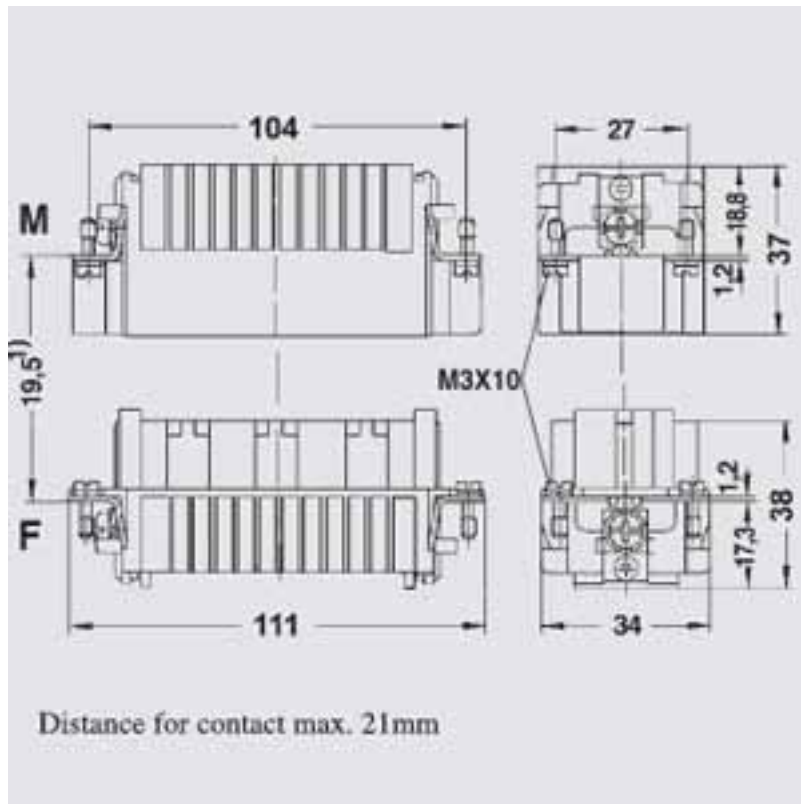
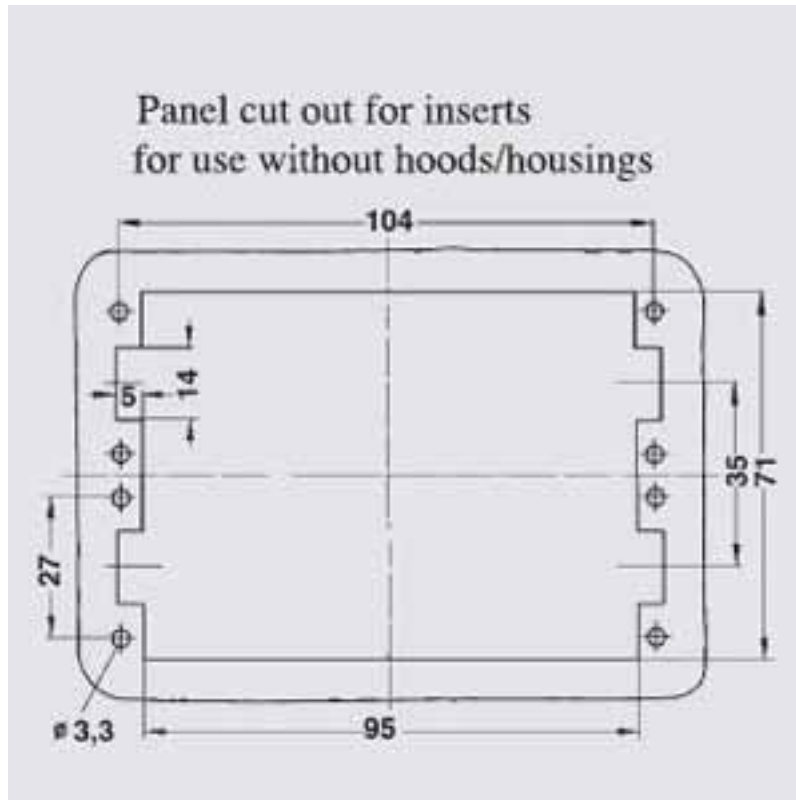
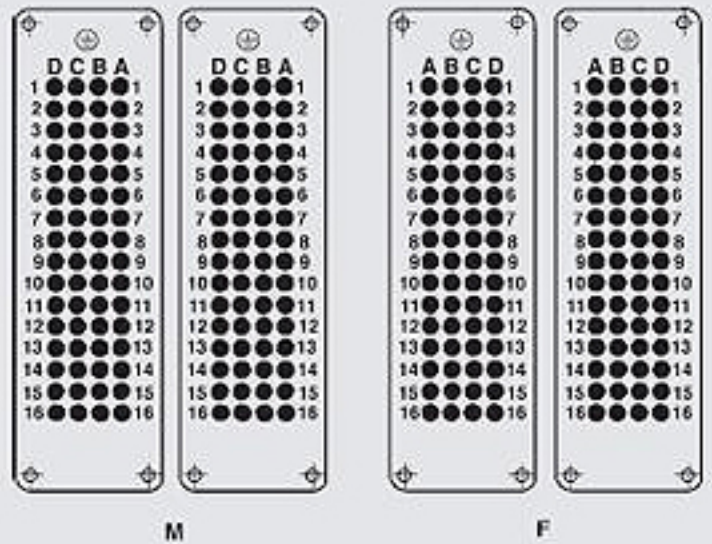


				
	HD Series: 128 Position Pkg Size: 2 Inserts		HDD Series: 216 Position Pkg Size: 2 Inserts	
Description	Type	Order No.	Type	Order No.
Male Insert Crimp connection	HD-064-M x 2	HDIN128M	HDD-108-M x 2	HDIN216M
Female Insert Crimp Connection	HD-064-F x2	HDIN128F	HDD-108-F x 2	HDIN216F
Approvals	CSA		CSA	
General Data				
Rated Current (A)	10 A		10 A	
Rated Voltage (V)	600 V		500V	
Mechanical Life Mating Cycles (max)	≥ 500		≥ 500	
Temperature Range	-40°C + 125		-40°C + 125	
Connection Data				
Wire Range (AWG)	26-14		26-14	
Recommended Tightening Torque (Nm)	N/A		.5Nm	
Material Data				
Insert Material	Polycarbonate		Polycarbonate	
Inflammability class in acc. with UL94	VO		VO	
Contact Material	Copper Alloy		Copper Alloy	
Screw clamp contacts	Silver Plated		Silver Plated	
Crimp contacts	Silver or Gold Plated		Silver or Gold Plated	
Hoods and Housings	H48B Series		H48B Series	

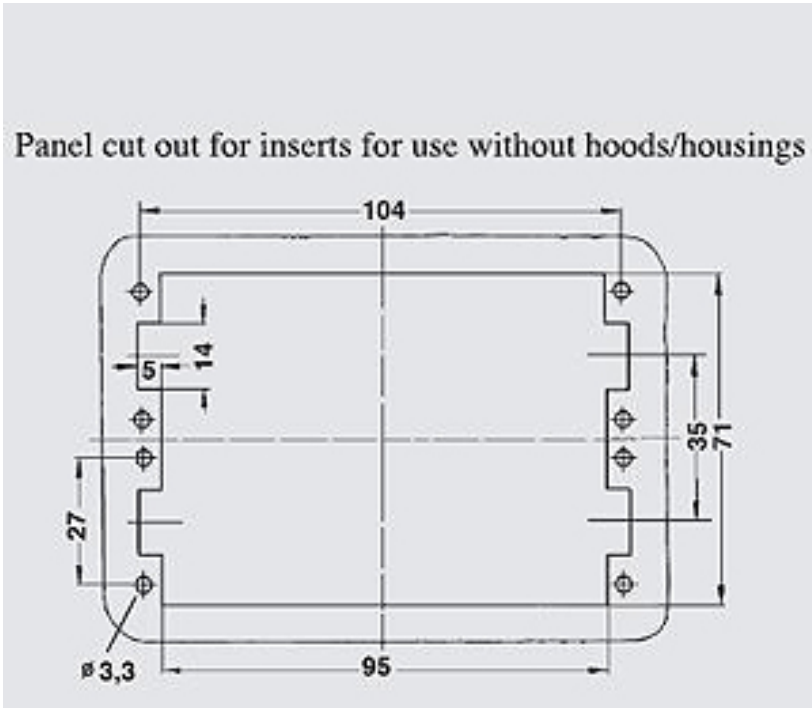
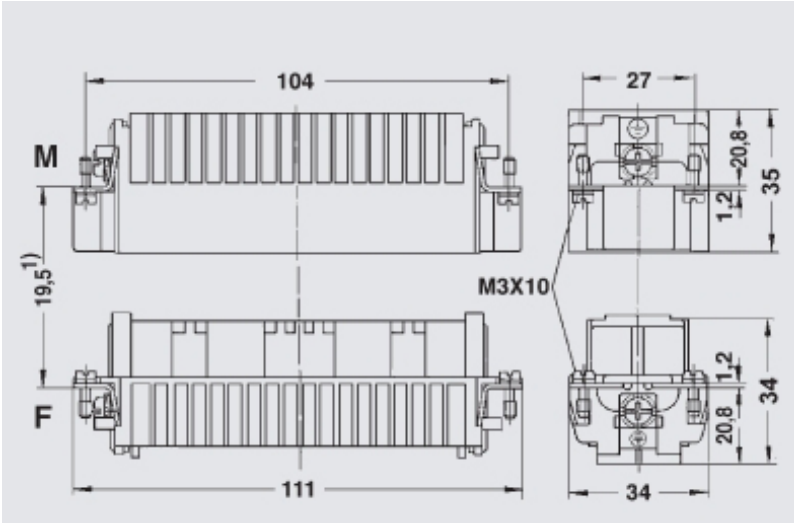
HD Series: 128 Position



Contact arrangement view from termination side



HDD Series: 216 Position



Contact arrangement view from termination side

