

HD Series:

The ASI HD and HDD series of heavy duty connector inserts are designed to international standards and are similar to the D and DD series offered by other companies.



HD Series 7 & 8 Position
Pkg Size:1



HD Series 15 Position
Pkg Size:1



HD Series 25 Position
Pkg Size:1

Description	Type Order No.	Type	Order No.	Type No.	Order
Male Insert Crimp connection	HD-007-M 2020072101 HD-008-M 2020082101	HD-015-M	2020152101	HD-025-M	2020252101
Female Insert Crimp connection	HD-007-F 2020072201 HD-008-F 2020082201	HD-015-F	2020152201	HD-025-F	2020252201

Approvals:

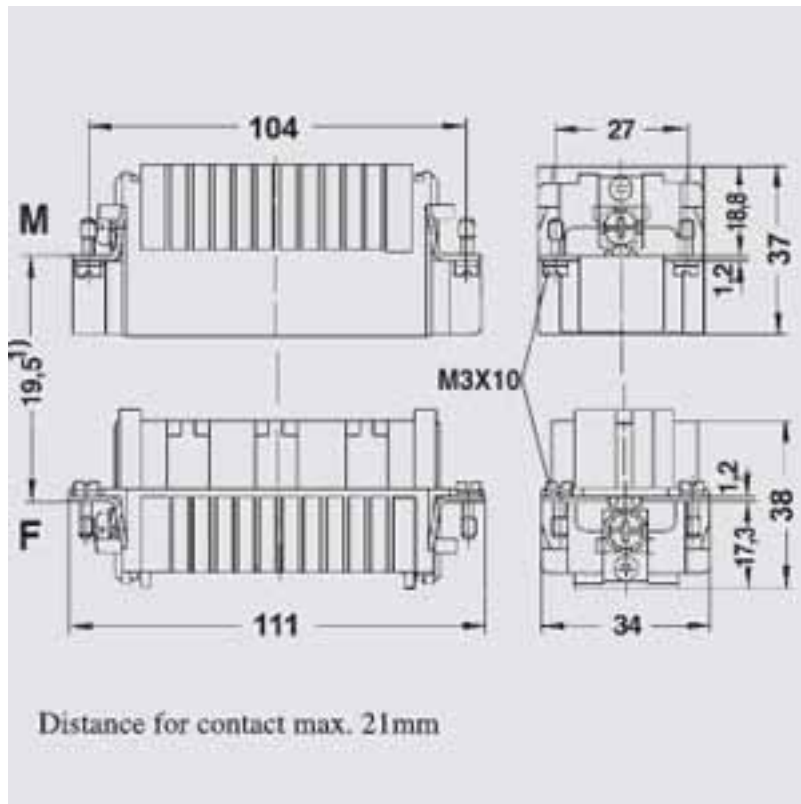
General Data					
Rated Current (A)	10		10		10
Rated Voltage (V) UL, CSA	600		600		600
Mechanical Life Mating Cycles (max)	≤500		≤500		≤500
Temperature Range	-40°C - +125°C		40°C - +125°C		40°C - +125°C

Connection Data					
Wire Range (AWG)	26-14		26-14		26-14
Recommended Tightening Torque (Nm)	.5		.5		.5

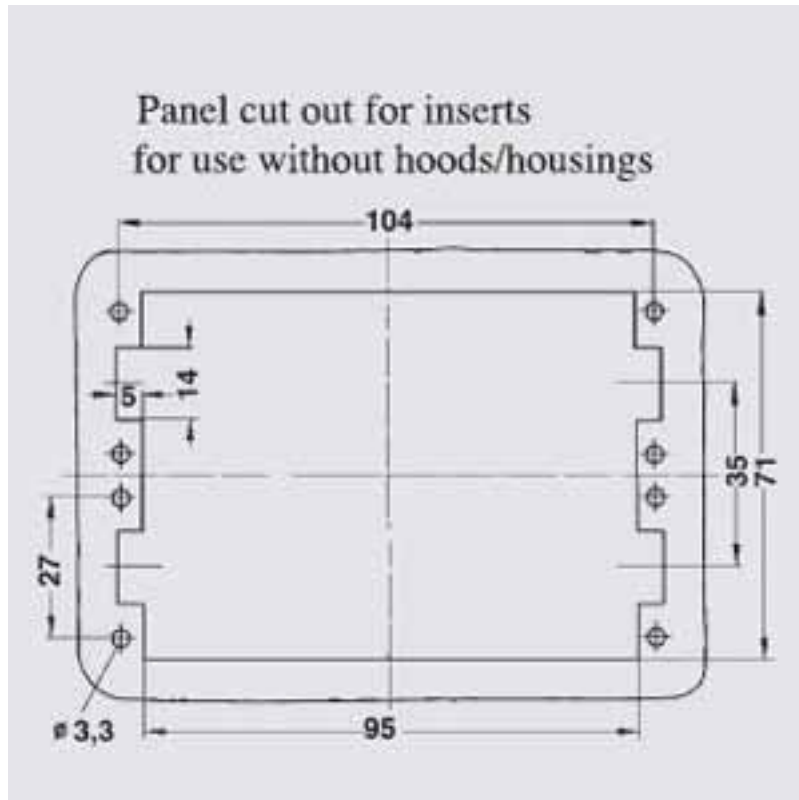
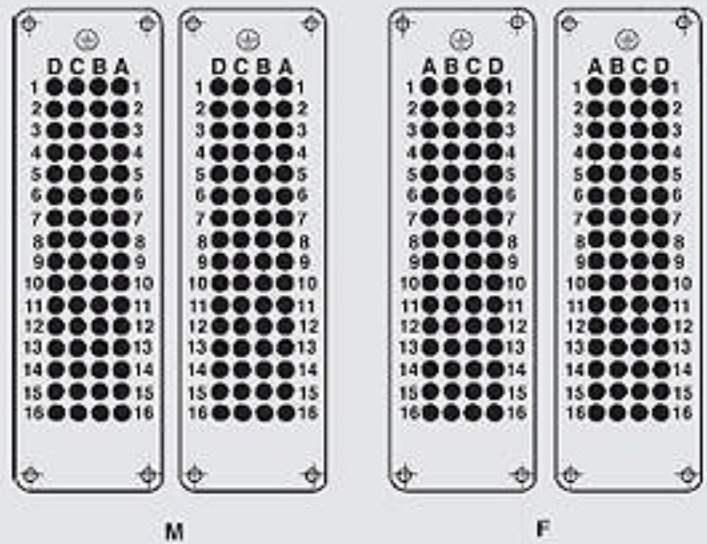
Material Data					
Insert Material	Polycarbonate		Polycarbonate		Polycarbonate
Inflammability class in acc with UL94	V0		V0		V0
Contact Material	Copper Alloy		Copper Alloy		Copper Alloy
Screw clamp contacts	Silver Plated		Silver Plated		Silver Plated
Crimp contacts	Silver or gold plated		Silver or gold plated		Silver or gold plated

Hoods and Housings					
	H3A Series		H10A series		H16A Series

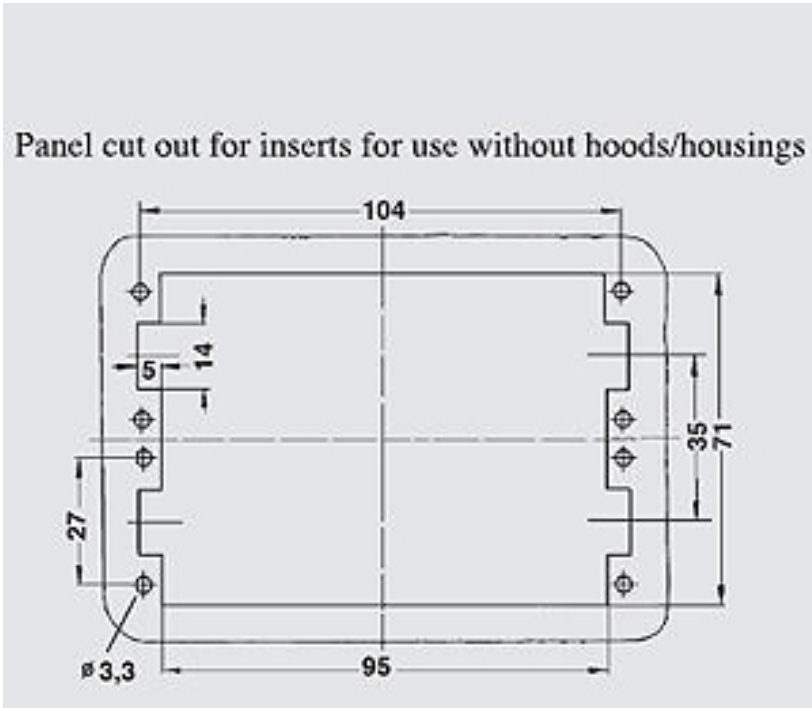
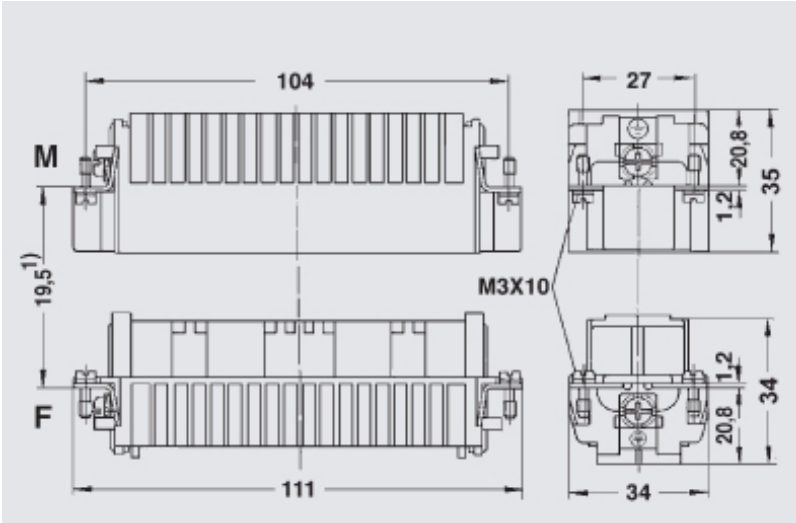
HD Series: 128 Position



Contact arrangement view from termination side



HDD Series: 216 Position



Contact arrangement view from termination side

