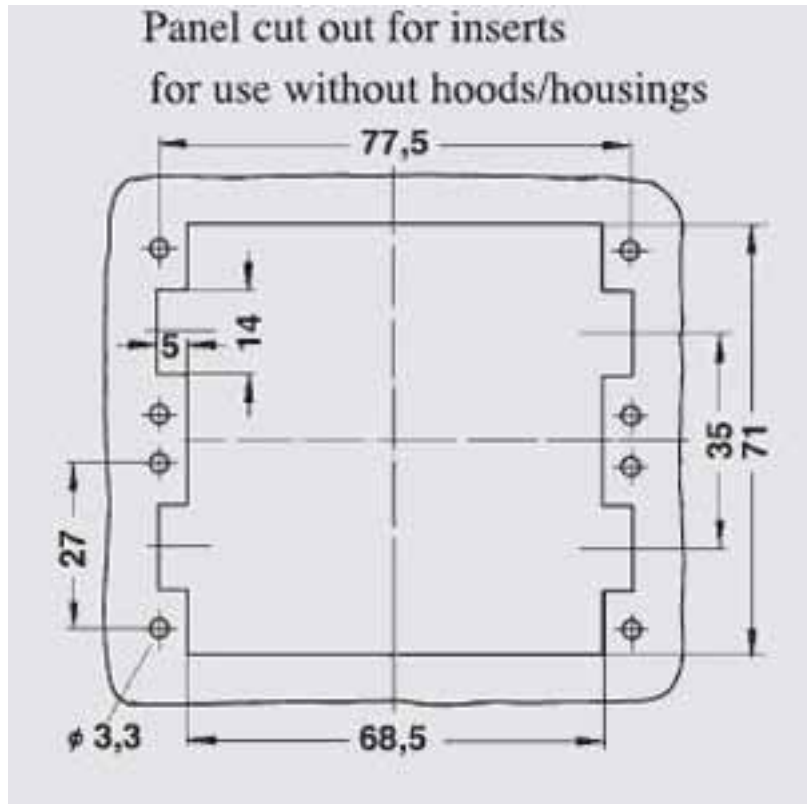
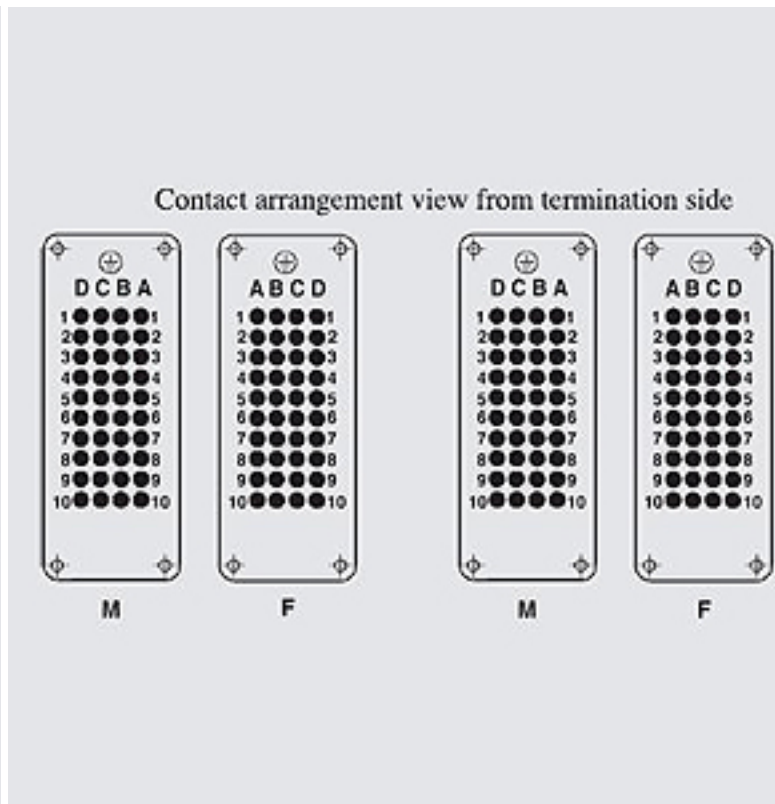
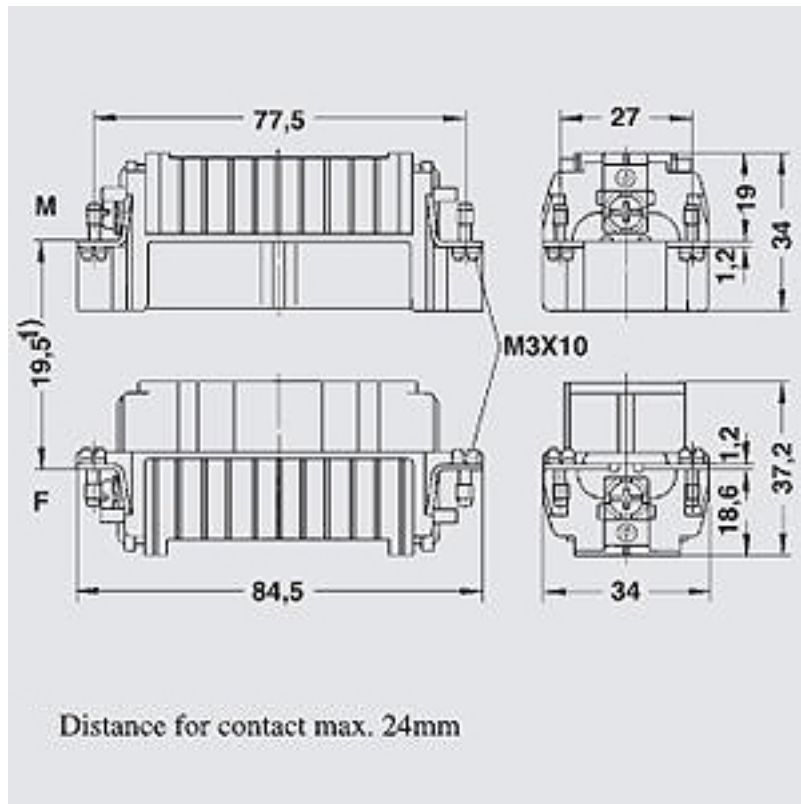


				
	HD Series: 80 Position Pkg Size: 2 Inserts	HDD Series: 144 Position Pkg Size: 2 Inserts		
<b>Description</b>	Type	Order No.	Type	Order No.
Male Insert Crimp connection	HD-040-M x 2	HDIN80M	HDD-072-M x 2	HDIN144M
Female Insert Crimp Connection	HD-040-F x2	HDIN80F	HDD-072-F x 2	HDIN144F
Approvals	CSA		CSA	
<b>General Data</b>				
Rated Current (A)	10 A		10 A	
Rated Voltage (V)	600 V		500V	
Mechanical Life Mating Cycles (max)	≥ 500		≥ 500	
Temperature Range	-40°C + 125		-40°C + 125	
<b>Connection Data</b>				
Wire Range (AWG)	26-14		26-14	
Recommended Tightening Torque (Nm)	N/A		.5Nm	
<b>Material Data</b>				
Insert Material	Polycarbonate		Polycarbonate	
Inflammability class in acc. with UL94	VO		VO	
Contact Material	Copper Alloy		Copper Alloy	
Screw clamp contacts	Silver Plated		Silver Plated	
Crimp contacts	Silver or Gold Plated		Silver or Gold Plated	
Hoods and Housings	H32B Series		H32B Series	

# HD Series: 80 Position



# HDD Series: 144 Position

