



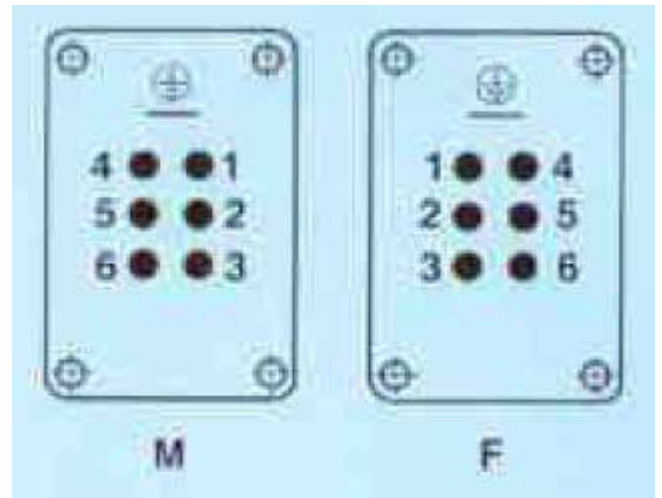
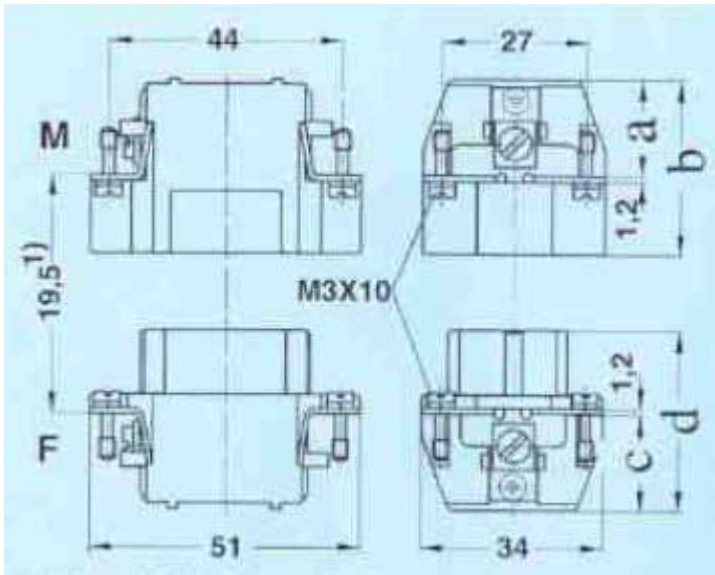
HE Series: 6 Position
Pkg Size: 1



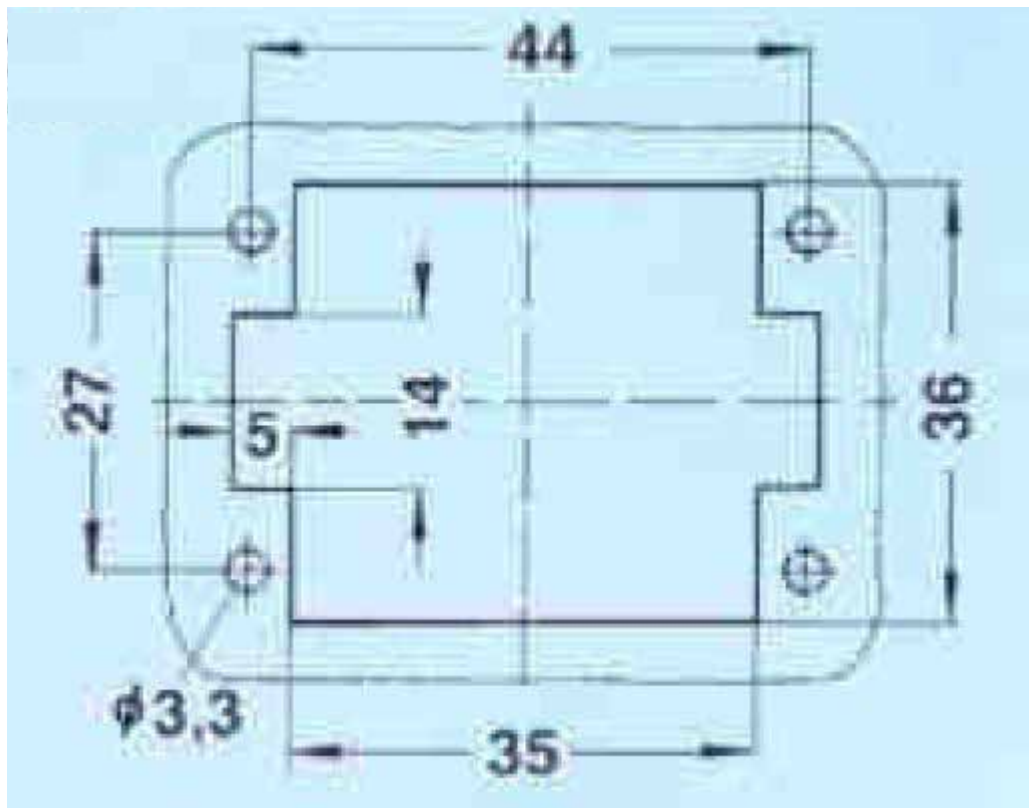
HE Series: 10 Position
Pkg Size: 1

Description	Type	Order No.	Type	Order No.
Male Insert Screw connection	HE-006-M	2040062101	HE-010-M	2040102101
Female Insert Screw Connection	HE-006-F	2040062201	HE-010-F	2040102201
Approvals	UL, CSA		UL, CSA	
General Data				
Rated Current (A)	16A		16A	
Rated Voltage (V)	600 V		600V	
Mechanical Life Mating Cycles (max)	≥ 500		≥ 500	
Temperature Range	-40°C + 125°C		-40°C + 125°C	
Connection Data				
Wire Range (AWG)	20-12		20-12	
Recommended Tightening Torque (Nm)	0.5 Nm		0.5 Nm	
Material Data				
Insert Material	Polycarbonate		Polycarbonate	
Inflammability class in acc. with UL94	VO		VO	
Contact Material	Copper Alloy		Copper Alloy	
Screw clamp contacts	Silver Plated		Silver Plated	
Crimp contacts	-		-	
Hoods and Housings	H6B Series		H10B Series	

HE Series: 6 Position



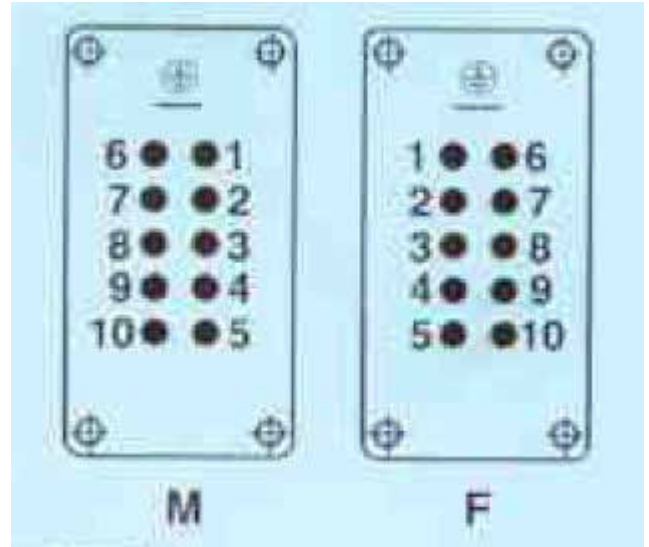
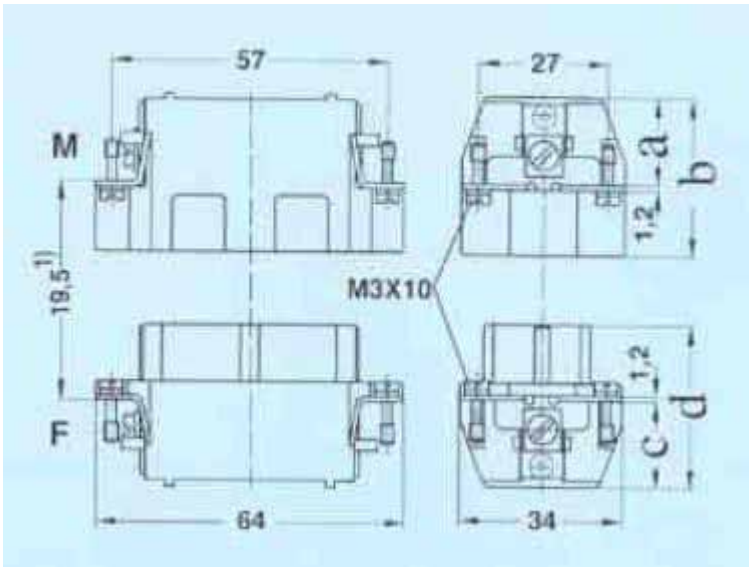
Contact arrangement view from termination side



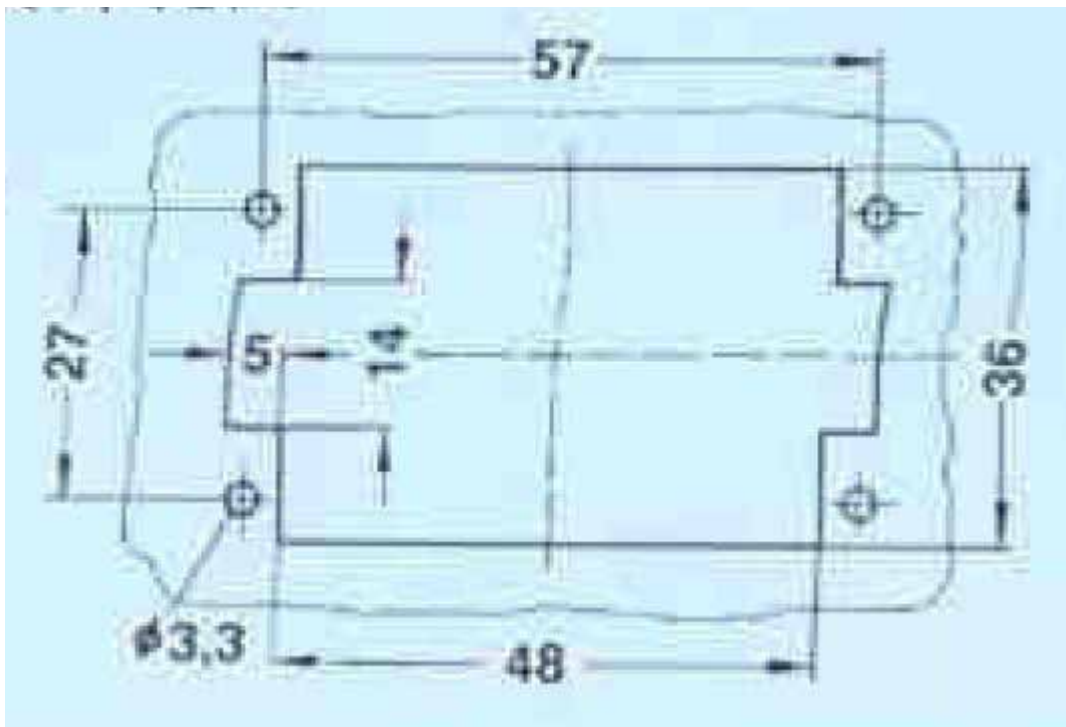
Panel cut out for inserts for use without hoods/housings

www.asi-ez.com

HE Series: 10 Position



Contact arrangement view from termination side



Panel cut out for inserts for use without hoods/housings

www.asi-ez.com