
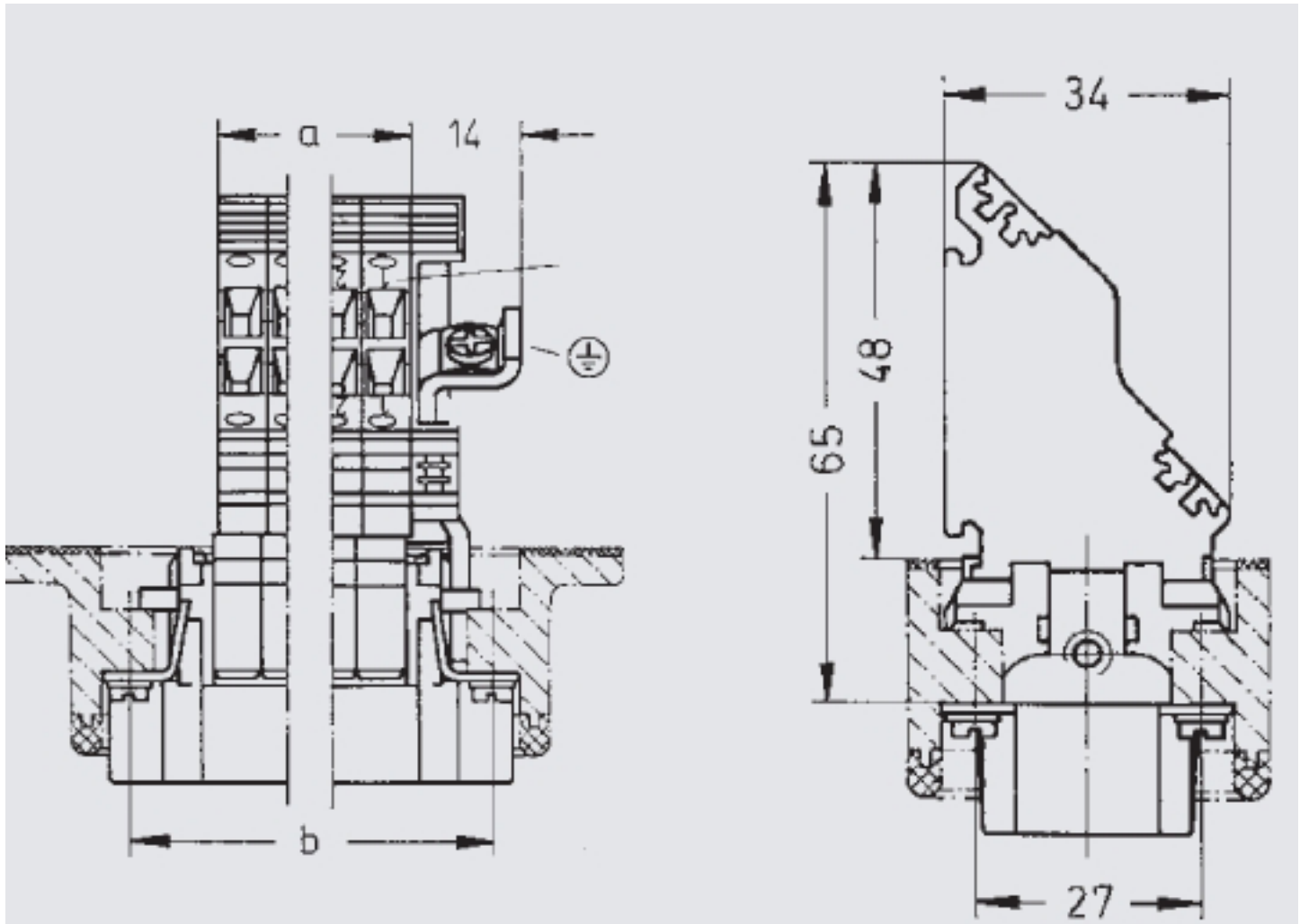
 <p>HEAV Series: 16 Position Pkg Size: 1</p>	 <p>HEAV Series: 24 Position Pkg Size: 1</p>		
<b>Description</b>	Type	Order No.	Type	Order No.
Male Insert Screw connection	HEAV-016-MR	2100162101	HEAV-024-M	2100242101
Female Insert Screw Connection	HEAV-016-FR	2100162201	HEAV-024-F	2100242201
Approvals	UL, CSA		UL, CSA	
<b>General Data</b>				
Rated Current (A)	16 A		16 A	
Rated Voltage (V)	600 V		600V	
Mechanical Life Mating Cycles (max)	≥ 500		≥ 500	
Temperature Range	-40°C + 125		-40°C + 125	
<b>Connection Data</b>				
Wire Range (AWG)	26-14		26-14	
Recommended Tightening Torque (Nm)	.25 Nm		.25Nm	
<b>Material Data</b>				
Insert Material	Polycarbonate		Polycarbonate	
Inflammability class in acc. with UL94	VO		VO	
Contact Material	Copper Alloy		Copper Alloy	
Contacts	Silver Plated		Silver Plated	



Male insert/Female insert	a	b
HEAV-006	20	44
HEAV-010	34	57
HEAV-016	54	77.5
HEAV-024	81	104