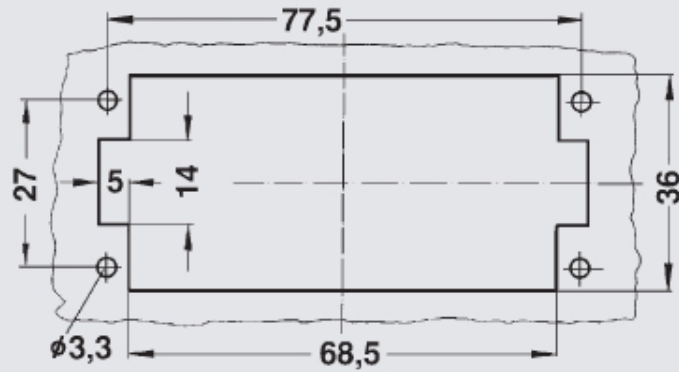
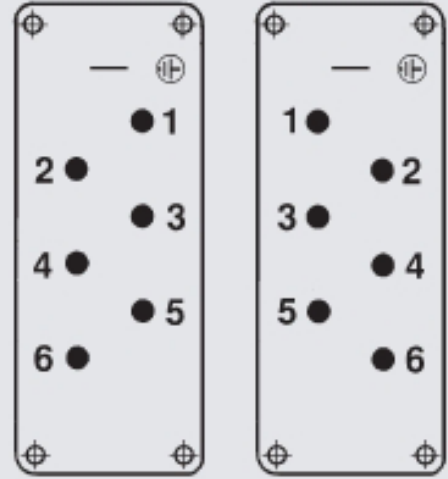
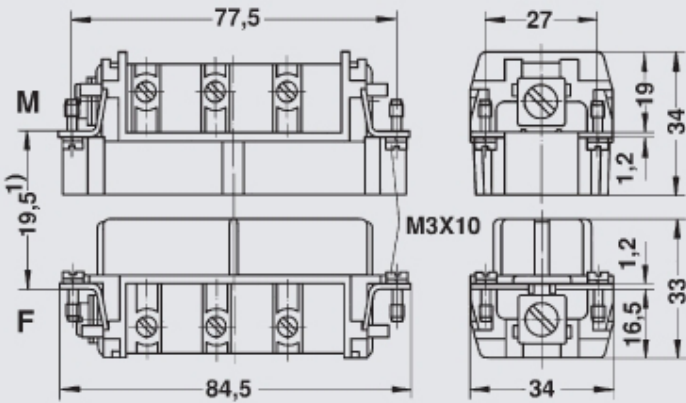
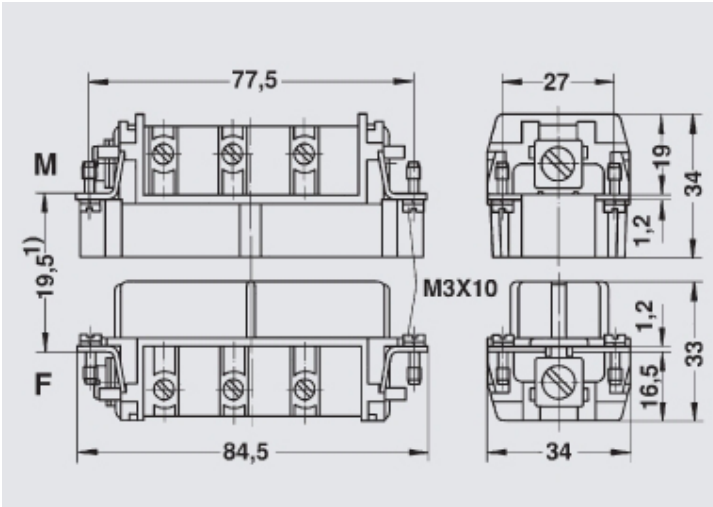
	
	HSB Series: 6 Position Pkg Size: 1		HSB Series: 12 Position Pkg Size: 1	
Description	Type	Order No.	Type	Order No.
Male Insert Screw connection	HSB-006-M	2050062101	HSB-006-M x 2	HSBIN12M
Female Insert Screw Connection	HSB-006-F	2050062201	HSB-006-F x 2	HSBIN12F
Approvals	UL, CSA		UL, CSA	
General Data				
Rated Current (A)	35 A		35 A	
Rated Voltage (V)	600 V		600V	
Mechanical Life Mating Cycles (max)	≥ 500		≥ 500	
Temperature Range	-40°C + 125		-40°C + 125	
Connection Data				
Wire Range (AWG)	20-10		20-10	
Recommended Tightening Torque (Nm)	1.2 Nm		1.2Nm	
Material Data				
Insert Material	Polycarbonate		Polycarbonate	
Inflammability class in acc. with UL94	VO		VO	
Contact Material	Copper Alloy		Copper Alloy	
Screw clamp contacts	Silver Plated		Silver Plated	
Crimp contacts	-		-	
Hoods and Housings	H16B Series		H32B Series	

HSB Series: 6 Position

Contact arrangement view from termination side



HSB Series: 12 Position



Contact arrangement view from termination side

