



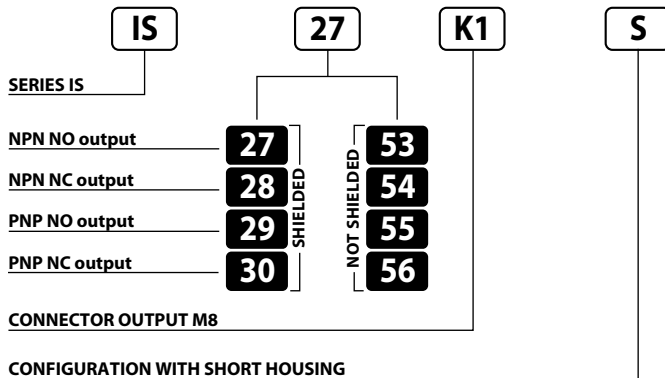
Amplified Inductive Sensors Ø 6.5

AMPLIFIED INDUCTIVE SENSORS 10÷30 V DC 3 WIRES NPN OR PNP OUTPUT

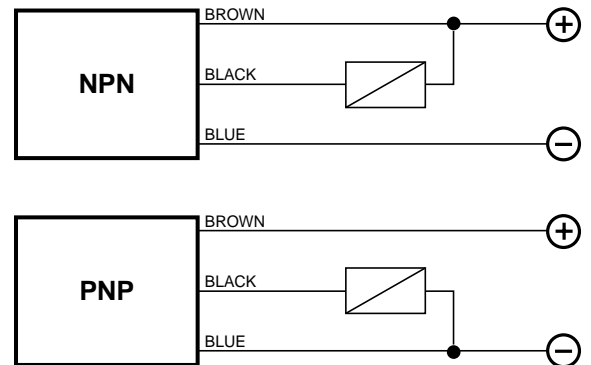
- Three-wire, amplified, shielded sensors
- 10 to 30 VDC, NPN or PNP
- NO or NC select
- M8 quick connect models
- 6.5mm unshielded model 2mm Sn



Identification code

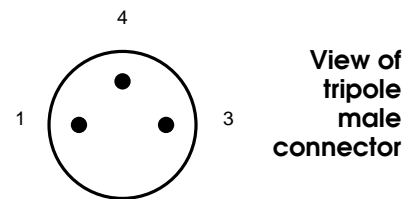


Wiring diagrams



	SHIELDED	NOT SHIELDED
NOMINAL SWITCHING DISTANCE (Sn)	1,5 mm	2 mm
NOMINAL VOLTAGE	10 ÷ 30 VDC (-15 / +10%)	
RESIDUAL RIPPLE	≤ 10%	
HYSTERESIS	< 10%	
MAX. OUTPUT CURRENT	200 mA	
RESIDUAL CURRENT	< 10 mA	
VOLTAGE DROP	< 1.2 V (I = 100 mA)	
OPERATION LED	Present	
SWITCHING FREQUENCY	1000 Hz	
START UP DELAY	≤ 50 mS	
REPEATABILITY	≤ 3%	
SHORT CIRCUIT PROTECTION	Present (self-resetting)	
ELECTRIC PROTECTIONS	Against polarity reversal - inductive loads	
TEMPERATURE LIMITS	- 25 ÷ +70 °C	
PROTECTION DEGREE	IP 67	
CABLE LENGTH	2 m	
CABLE SECTION		
HOUSING MATERIAL	Stainless-steel	
WEIGHT - Cable output -	80 g	
WEIGHT - K connector output -	40 g	

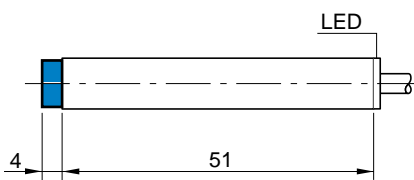
Connection with connector M8 (K1)



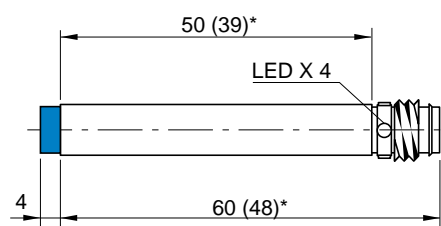
CONTACTS CONFIGURATION

Available	Contacts numbers		
	1 BROWN	3 BLUE	4 BLACK
NPN/PNP	+	-	NO/NC

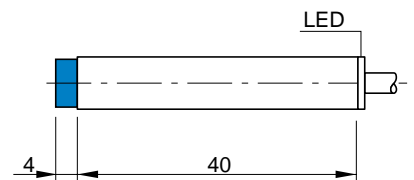
CONFIGURATION WITH CABLE



CONFIGURATION WITH CONNECTOR K1



SHORT HOUSING S



(*) The dimensions into brackets refer to short housing models

To locate additional product specifications and technical drawings go to www.asi-ez.com