



Amplified Inductive Sensors Ø 30

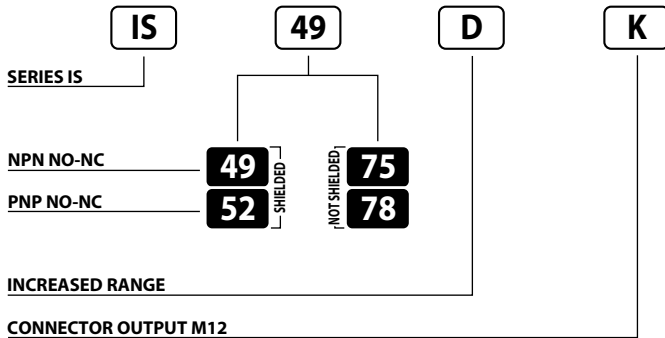
AMPLIFIED INDUCTIVE SENSORS INCREASED RANGE 10÷30 VDC 4 WIRES NPN OR PNP OUTPUT

- Four-wire
- Increased range, shielded, not shielded
- Range, 15mm to 20 mm
- Short housing
- 200mA NPN or PNP
- Operation LED

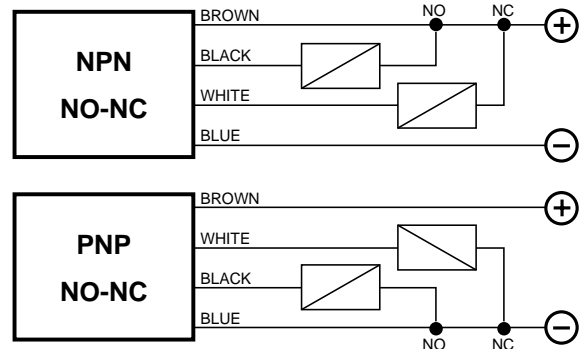
IS Series



Identification code

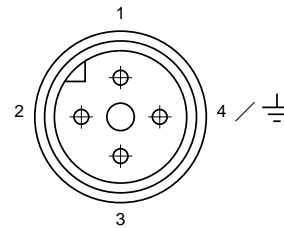


Wiring diagrams



| | SHIELDED | NOT SHIELDED |
|--|---|--------------|
| NOMINAL SWITCHING DISTANCE (S _n) | 15 mm | 20 mm |
| NOMINAL VOLTAGE | 10 ÷ 30 VDC (-15 / +10%) | |
| RESIDUAL RIPPLE | ≤ 10% | |
| HYSTERESIS | < 10% | |
| MAX. OUTPUT CURRENT | 200 mA | |
| RESIDUAL CURRENT | < 10 mA | |
| VOLTAGE DROP | < 1.2 V (I = 100 mA) | |
| OPERATION LED | Yellow | |
| SWITCHING FREQUENCY | 200 Hz | |
| START UP DELAY | ≤ 75 mS | |
| REPEATABILITY | ≤ 3% | |
| SHORT CIRCUIT PROTECTION | Present (self-resetting) | |
| ELECTRIC PROTECTIONS | Against polarity reversal - inductive loads | |
| TEMPERATURE LIMITS | - 25 ÷ +70 °C | |
| PROTECTION DEGREE | IP 67 | |
| CABLE LENGTH | 2 m | |
| CABLE SECTION | 3 x 0,25 mm ² | |
| HOUSING MATERIAL | Nickel-plated brass | |
| WEIGHT - Cable output - | 210 g | |
| WEIGHT - K1 connector output - | - | |
| WEIGHT - K connector output - | 170 g | |

Connection with connector M12 (K)

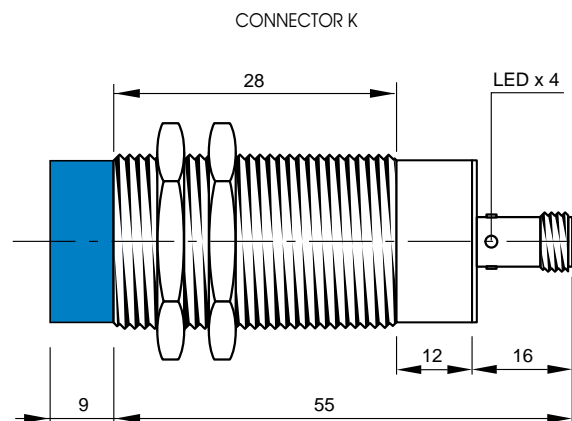
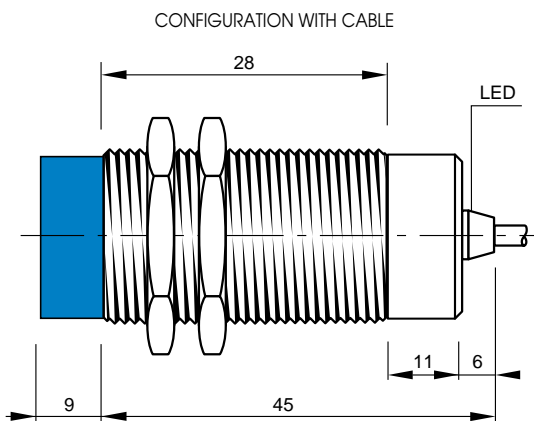


View of quadripole male connector.

CONTACTS CONFIGURATION

| Available (NO or NC) | Contacts numbers | | | |
|-------------------------|------------------|----|---|----|
| | 1 | 2 | 3 | 4 |
| | + | NC | - | NO |

Dimensions (mm)



Note: the front part in blue refers to not shielded models.

To locate additional product specifications and technical drawings go to www.asi-ez.com