

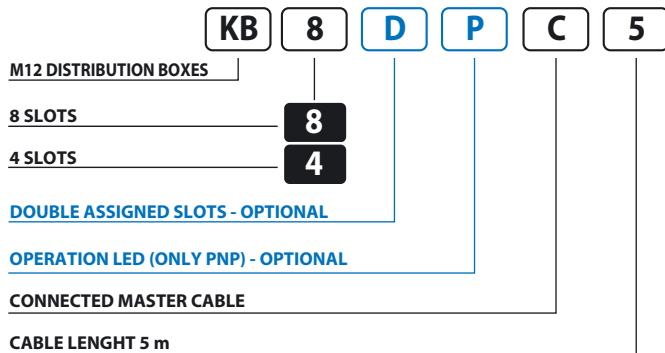
M12 Distribution Boxes with cable

M12 DISTRIBUTION BOXES WITH CONNECTED MASTER CABLE

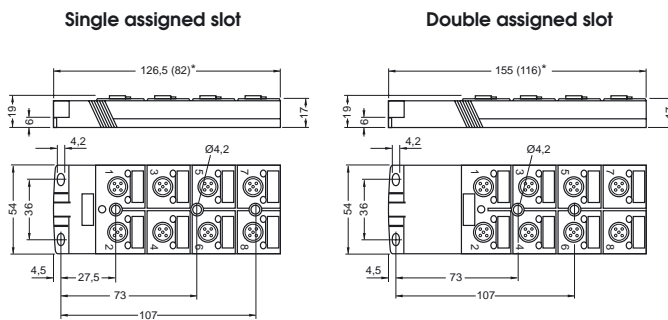
KB Series



Identification code



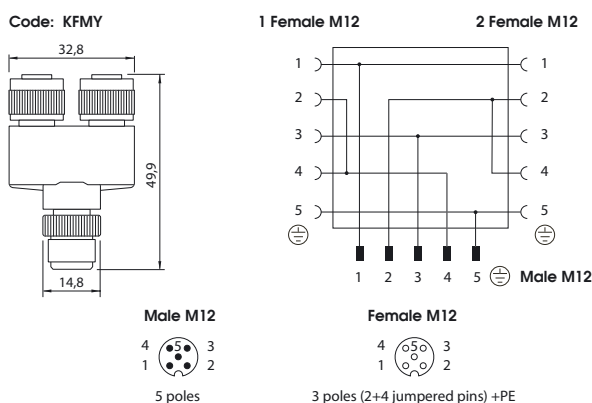
Dimensions (mm)



* The dimensions into brackets refer to 4 slot models

Accessories

The use of this accessory together with a double assigned slots distribution box permits to connect two sensors with a contacts configuration compatible with each available slot.



Note: the use of this accessory with a double assigned slots distribution box allows to connect two sensors, having the same and compatible contacts configuration, to each available slot.

Technical data

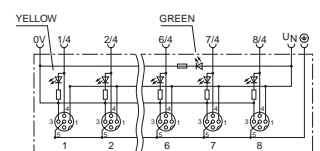
NOMINAL VOLTAGE	120 V AC/120 V DC
MAXIMUM PERMITTED OPERATING VOLTAGE	135 V AC/135 V DC
MAXIMUM CURRENT CARRYING CAPACITY PER CHANNEL	2 A
MAXIMUM CURRENT CARRYING CAPACITY PER SLOT	4 A
SACB TOTAL CURRENT	12 A
AMBIENT TEMPERATURE	-25°C up to +75°C
VIBRATION TEST ACC. DIN EN 60068-2-6:1996-05	
BUMP TEST ACC. DIN EN 60068-2-29:1995-03 (IEC 68-2-297 WITH CONTACT MONITORING ACC. DIN IEC 60512-2:1994-05, TEST 2E	

Wiring diagrams for single assigned slot boxes

Assignment diagram for single assigned slot boxes

Core colour	M12 connector/position (potential)
WH	1 / 4 (A)
GN	2 / 4 (A)
YE	3 / 4 (A)
GY	4 / 4 (A)
PK	5 / 4 (A)
RD	6 / 4 (A)
BK	7 / 4 (A)
VT	8 / 4 (A)
BN	1-8 / (+24 V/120 V)
BU	1-8 / 3 (0 V)
GN / YE	1-8 / 5 (PE)

Circuit diagram for single assigned slot



PINS ASSIGNMENT

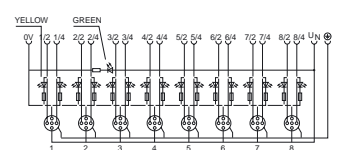


Wiring diagrams for double assigned slot boxes

Assignment diagram for double assigned slot boxes

Core colour	M12 connector/position (potential)
WH	1 / 4 (A)
GY / PK	1 / 2 (B)
GN	2 / 4 (A)
RD / BU	2 / 2 (B)
YE	3 / 4 (A)
WH / GN	3 / 2 (B)
GY	4 / 4 (A)
BN / GN	4 / 2 (B)
PK	5 / 4 (A)
WH / YE	5 / 2 (B)
RD	6 / 4 (A)
YE / BN	6 / 2 (B)
BK	7 / 4 (A)
WH / GY	7 / 2 (B)
VT	8 / 4 (A)
GY / BN	8 / 2 (B)
BN	1-8 / (+24 V/120 V)
BU	1-8 / 3 (0 V)
GN / YE	1-8 / 5 (PE)

Circuit diagram for double assigned slot



PINS ASSIGNMENT



Material specifications

HOUSING MATERIAL (Colour)	Polyamide 66 VO (Grey)
CONTACT SOCKED CARRIER (Colour)	Polyamide 66 VO (Black)
SEALING COMPOUND (Colour)	PUR (Grey)
CONTACT MATERIAL SPECIFICATION	
- LIVE PARTS	Copper alloy
- SURFACE PLATING	Gold plated

To locate additional product specifications and technical drawings go to www.asi-ez.com

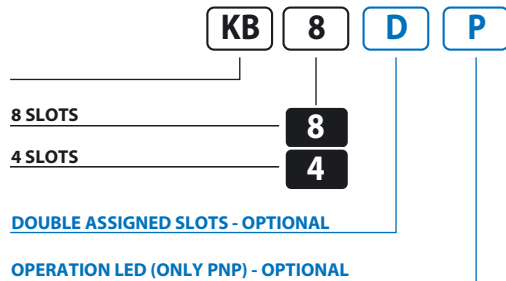
M12 Distribution Boxes to be wired

M12 DISTRIBUTION BOXES WITH MASTER CABLE CONNECTION VIA SPRING CAGE TERMINAL BLOCKS

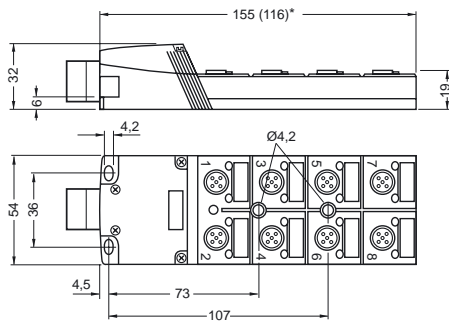
KB Series



Identification code



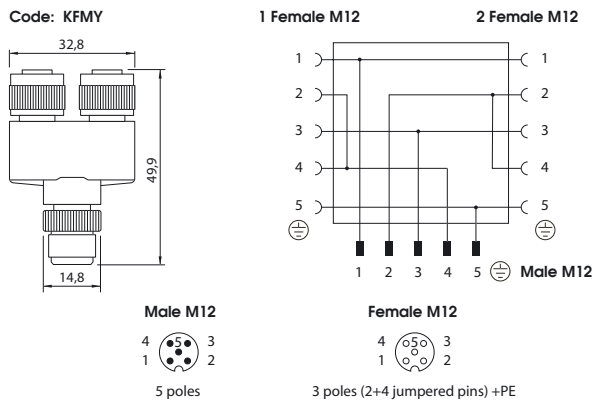
Dimensions (mm)



* The dimensions into brackets refer to 4 slot models

Accessories

The use of this accessory together with a double assigned slots distribution box permits to connect two sensors with a contacts configuration compatible with each available slot.



Note: the use of this accessory with a double assigned slots distribution box allows to connect two sensors, having the same and compatible contacts configuration, to each available slot.

Technical data

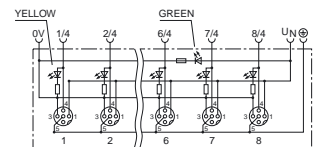
NOMINAL VOLTAGE	24 V DC
MAXIMUM PERMITTED OPERATING VOLTAGE	30 V DC
MAXIMUM CURRENT CARRYING CAPACITY PER CHANNEL	2 A
MAXIMUM CURRENT CARRYING CAPACITY PER SLOT	4 A
SACB TOTAL CURRENT	12 A
AMBIENT TEMPERATURE	-25°C up to +75°C
VIBRATION TEST ACC. DIN EN 60068-2-6:1996-05	
BUMP TEST ACC. DIN EN 60068-2-29:1995-03 (IEC 68-2-297 WITH CONTACT MONITORING ACC.	
DIN IEC 60512-2:1994-05, TEST 2E	
IP 65/67 PROTECTION TYPE TEST ACC. DIN EN 60529/VDE 0470 TEIL 1:2000-09	

Wiring diagrams for single assigned slot boxes

Assignment diagram for single assigned slot boxes

Terminal point	M12 connector/position (potential)
1/4	1/4 (A)
2/4	2/4 (A)
3/4	3/4 (A)
4/4	4/4 (A)
5/4	5/4 (A)
6/4	6/4 (A)
7/4	7/4 (A)
8/4	8/4 (A)
U _N	1-8 / (+24 V/120 V)
PE	1-8 / 5 (PE)
0 V	1-8 / 3 (0 V)

Circuit diagram for single assigned slot



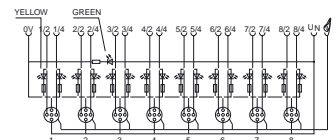
PINS ASSIGNMENT



Wiring diagrams for double assigned slot boxes

Assignment diagram for double assigned slot boxes

Terminal point	M12 connector/position (potential)
1/4	1/4 (A)
1/2	1/2 (B)
2/4	2/4 (A)
2/2	2/2 (B)
3/4	3/4 (A)
3/2	3/2 (B)
4/4	4/4 (A)
4/2	4/2 (B)
5/4	5/4 (A)
5/2	5/2 (B)
6/4	6/4 (A)
6/2	6/2 (B)
7/4	7/4 (A)
7/2	7/2 (B)
8/4	8/4 (A)
8/2	8/2 (B)
U _N	1-8 / (+24 V/120 V)
PE	1-8 / 5 (PE)
0 V	1-8 / 3 (0 V)



PINS ASSIGNMENT



Material specifications

HOUSING MATERIAL (Colour)	Polyamide 66 VO (Grey)
CONTACT SOCKED CARRIER (Colour)	Polyamide 66 VO (Black)
SEALING COMPOUND (Colour)	PUR (Grey)
CONTACT MATERIAL SPECIFICATION	
- LIVE PARTS	Copper alloy
- SURFACE PLATING	Gold plated

To locate additional product specifications and technical drawings go to www.asi-ez.com