

# Ø22mm USB and RJ45 communication interfaces



LPX S00



LPX S01



LPX S02

Order code	Description	Qty per pkg	Wt
		n°	[kg]
LPX S00	USB interface, A-A connection type	1	0.018
LPX S01	USB interface, A-B connection type	1	0.018
LPX S02	RJ45 interface, Ethernet connection type	1	0.026

### General characteristics

USB and RJ45 communication interface connectors are used in industrial environments, which in recent years have seen an increase in the number of connections between machines, production lines, equipment and measuring instruments. These interfaces provide the transmission of data in both directions between the various devices.

### Operational characteristics

- Transmission characteristics:
  - USB: Universal Serial Bus Spec. Rev. 2.0 25-40Mb/s
  - RJ45: 10 Gigabit Ethernet IEEE 802.3an-2006.
- Ambient conditions:
  - Operating temperature: -40°...+70°C
  - Storage temperature: -40°...+85°C
- Degree of protection:
  - IP65 with cap mounted
  - IP20 without cap.

### Materials

Polyamide and polycarbonate.

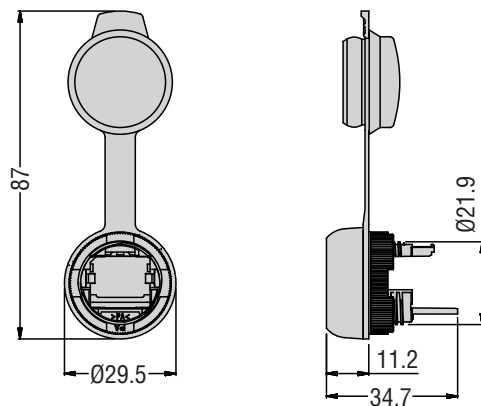
### Mounting adapter

USB and RJ45 communication interface connectors are mounted through Ø22mm hole by threaded ring (Tmax = 2.3Nm).

### Compliance

Compliant with standards: IEC 61076-3-107 (USB), IEC 60603-7-51 (RJ45).

## Dimensions



## Pushbuttons and Selectors Ø22mm

PLatinum



*Quality touch!*