

M12 Type T-Splitter Connector

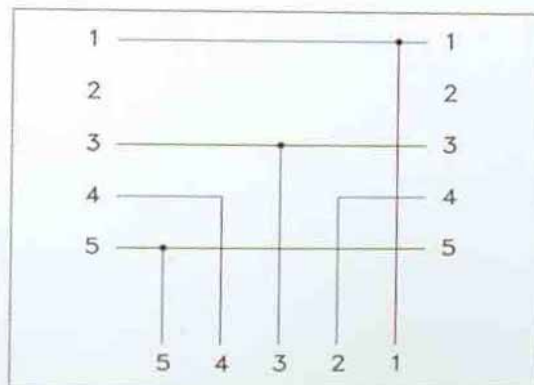


12T35000

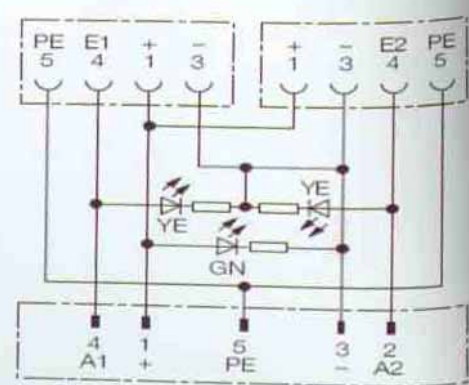


12T45000

Product Description:	M12 Male T Splitter, 5 Poles with 2 off female
Type of contact:	1 off male - 2 off female
Housing Color:	Black or transparent
Number of Contacts:	5 poles
Rated Voltage:	50 V AC/DC
Rated Current:	4 A
Contact Surface Material:	Nickel + .45um AU Gold Plated
Housing Material:	NYLON 6+30% glass fibre
Coupling Nut Material :	ZN Al/N
O-Ring:	NBR
Protection Class:	IP67
Temperature Range:	-20°C to +70°C



12T34000



12T45000